



UFE1160

1HR FIRE RATED SPEAKER COVER

PRODUCT ID



UFE1160

DESCRIPTION

The UFE1160 1 Hour Fire Rated Speaker Cover is a dome shaped intumescent enclosure, specifically designed to help maintain the integrity of fire-resistant ceilings for one hour when penetrated by in-ceiling loudspeakers up to 10".

The sound absorbing properties of the proprietary intumescent material enhance the acoustic performance of the structure for crisper and clearer sound.

KEY FEATURES

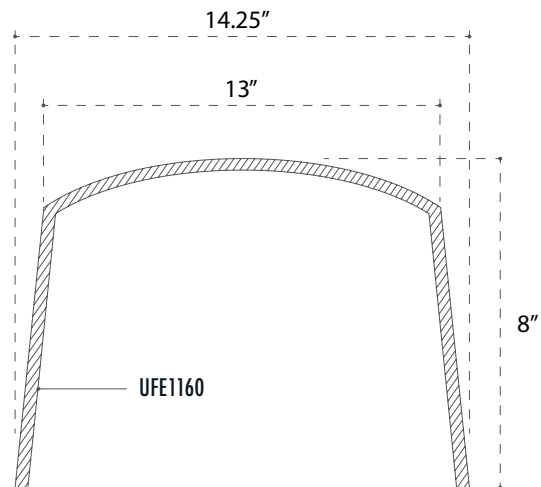
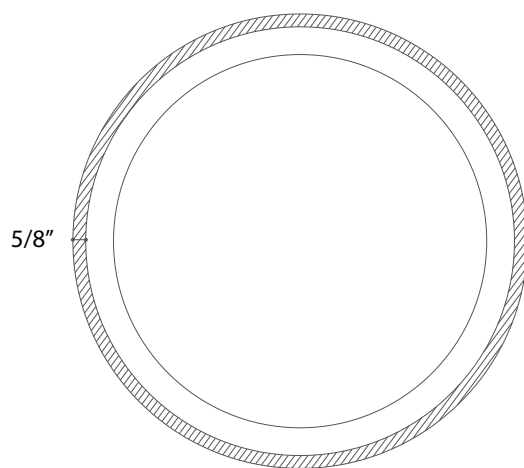
- Offers 60 minute fire protection
- Intertek/ETL certified to maintain the fire rating (1 hour) of fire rated ceiling assemblies.
- Offers acoustic enhancing & dampening properties
- For use in ceiling assemblies - easy installation- can be fitted in seconds - no screws, drilling or sealant required
- Flexible material enables the cover to be fitted around obstacles, enabling pre-construction or retrofit installation
- Retrofittable for ceiling cutouts from 5^{7/8"} up to 10^{5/8"}
- Pre-construction use for any ceiling cutout size up to 10^{5/8"}
- Can be used with any speaker manufacturer
- Maintenance free. Easy to remove and re-install for speaker maintenance
- Lightweight (approx. 1.5 lbs)



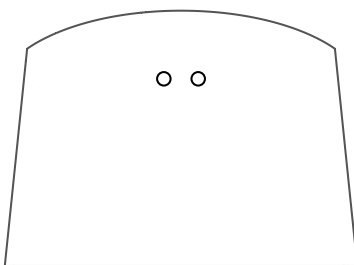
UFE1160

1HR FIRE RATED SPEAKER COVER

LINEDRAWINGS



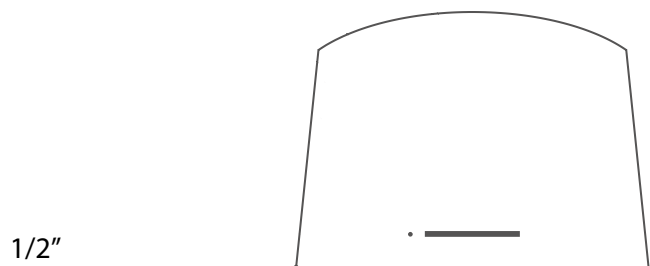
LINE DRAWINGS SIDE VIEW:



Wire Grooves

PRE-CONSTRUCTION INSTALL:

Cut slits for REBR68 Pre-Construction Bracket:



Cut slit 1/2" from bottom

3 1/4"
Cut slit 3 1/4" long



Please see docs.originacoustics.com for most the most updated information concerning these specifications. Products may only be purchased through an authorized integration partner.