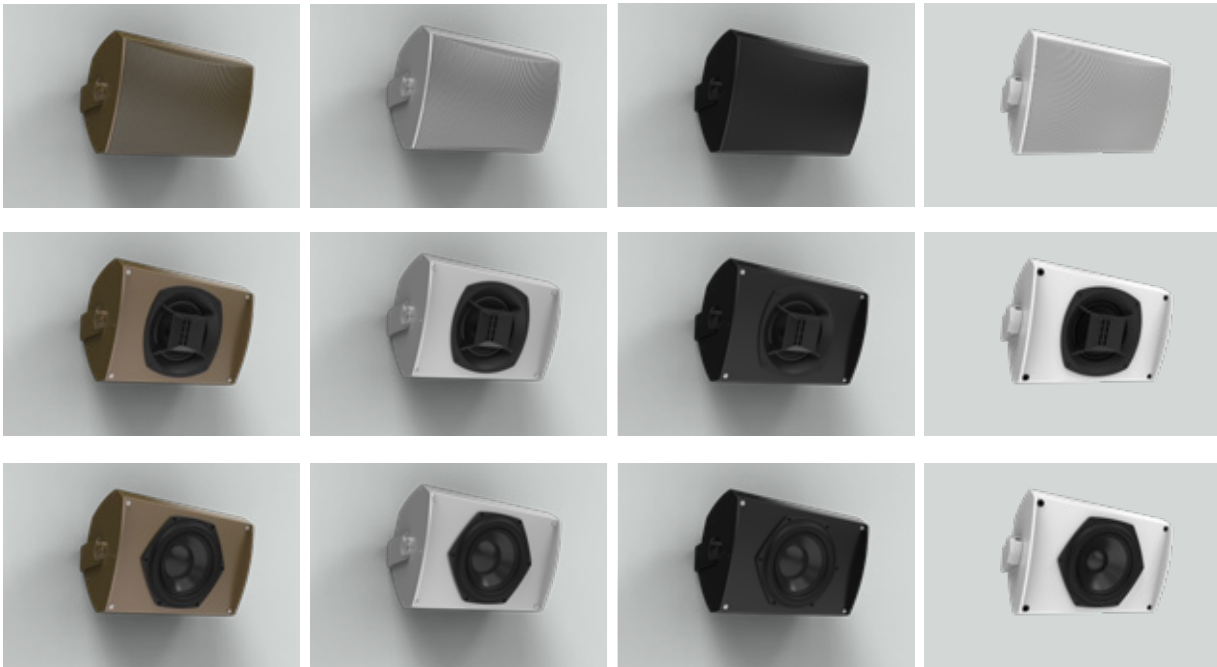




AMBISONIC HEXAGONAL LANDSCAPE COLLECTION



- ASM63CH • ASM63S • ASM63BL • ASM63WH
- ASM63SUB-CH • ASM63SUB-S • ASM63SUB-BL • ASM63SUB-WH

***ASM63/ ASM63SUB SURFACE MOUNT SPEAKERS
INSTALLATION MANUAL***





TABLE OF CONTENTS

1. Introduction	1
2. Specifications	2
3. Model Linedrawings	3
4A. What's Included	4
4B. Required Tools	5
4C. Recommended Amplifiers	5
5. Speaker Wire Tips	6
6. Installation of Wire to the Amplifier	8
7. Mounting the Bracket	10
8a. Attachment of Wire to the Speaker	19
8b. Inserting 2-PIN Connections	19
9. Testing the System	20
9a. Mounting Speaker to Bracket	20
9b. Pivoting Mounted Speakers	20
10. Connecting the System	21
11. Perfecting the System	22
12. Troubleshooting	23
13. Technical Assistance	24
14. Limited 5 Year Warranty	25
15. Return Process	26

1. INTRODUCTION

Congratulations on selecting our Ambisonic Hexagonal Surface Mount series, forming part of the Hexagonal Luxury Landscape Collection.

At Ambisonic, we take pride in providing you with a high quality product, all speakers are designed to have excellent sound quality, longevity, and a simple installation process.

Ambisonic Systems has delivered high performance experiences in luxury outdoor settings for decades. Now, our new Ambisonic Hexagonal Surface Mounts feature the same proprietary technologies and quality materials.

This instruction booklet covers the necessary information for a smooth installation. It includes the tool list you will need, step-by-step instructions for installation, troubleshooting tips for any errors that may occur, and all warranty information.

If for any reason you experience problems or if you have installation questions please call us at (844) 674-4461. Hours of operation are 8:00am to 5:00pm (Pacific Time), Monday through Friday.

Scan the QR Code for full instructions for this product.



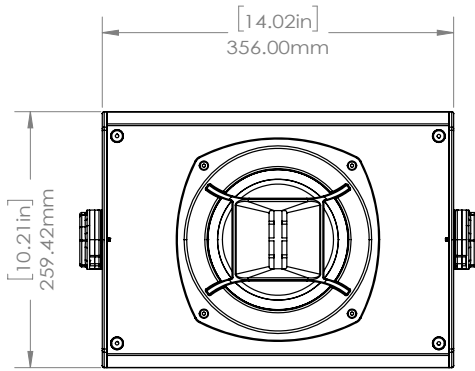
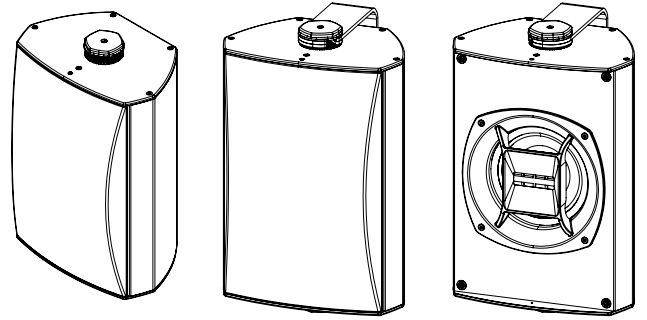
2. SPECIFICATIONS

SPECIFICATIONS	ASM63
System Type	Indoor/ Outdoor Universal Surface Mount Speaker
Driver Components	All-Weather 6 ½" Glass Fiber Cone Woofer 3" Planar Magnetic Ribbon Driver
Frequency Response	51Hz - 20kHz (-10db) 74Hz - 20kHz (+/- 3db)
SPL @1m	112dB Continuous, 115dB Program, 118dB Peak
System Coverage	100° Horizontal 60° Vertical
Sensitivity, 1m/2.83V	92dB
Power Handling	100W Continuous / 200W Program / 400W Peak
Recommended Amp Power	100W - 400W @ 8 Ohms
Impedance	8 Ohm
Input Connectors	Phoenix Connectors
Mounting	U-bracket with Tilt (Horizontal Install only) or Pan (Vertical Install only)
Dimensions (w/out mounts)	10 ¾" H x 14" W x 7 ⅙" D (259mm H x 356 mm W x 191 mm D)

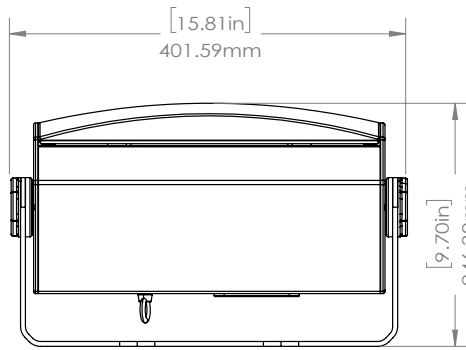
SPECIFICATIONS	ASM63SUB
System Type	Indoor/ Outdoor Universal Surface Mount Subwoofer
Driver Components	All-Weather 8" Polypropylene Cone Woofer
Frequency Response	28Hz - 300Hz (-10db) 37Hz - 300Hz (+/- 3db)
SPL @1m	112dB Continuous, 115dB Program, 118dB Peak
Sensitivity, 1m/2.83V	91dB
Power Handling	150W Continuous / 300W Program / 600W Peak
Recommended Amp Power	100W - 600W @ 8 Ohms
Impedance	8 Ohm
Input Connectors	Phoenix Connectors
Mounting	U-bracket with Tilt (Horizontal Install only) or Pan (Vertical Install only)
Dimensions (w/out mounts)	10 ¾" H x 14" W x 7 ⅙" D (259mm H x 356 mm W x 191 mm D)

3. MODEL LINEDRAWINGS

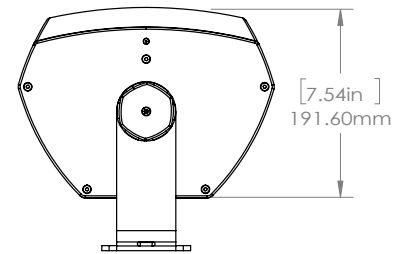
- ASM63 SPEAKER



(A) Speaker with Grille removed

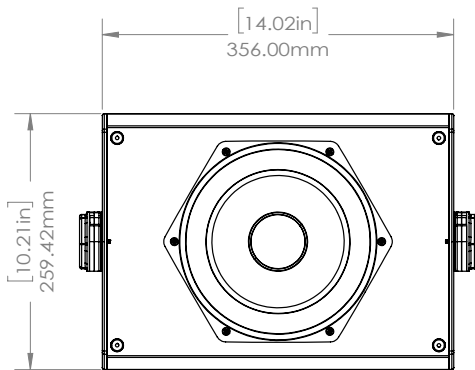
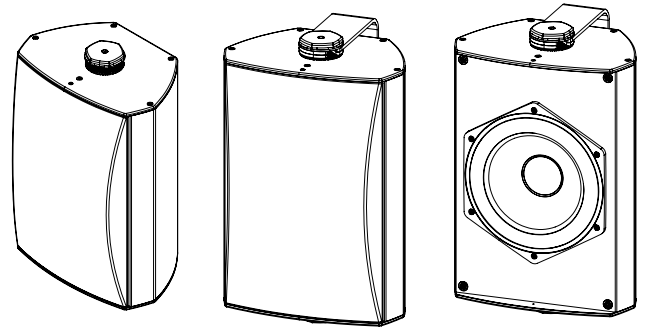


(B) Speaker Side Profile

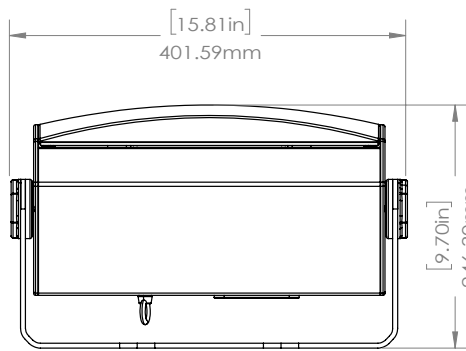


(C) Speaker Top View

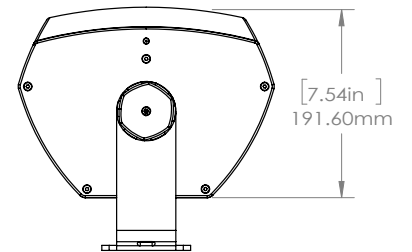
- ASM63SUB SUBWOOFER



(A) Subwoofer with Grille removed

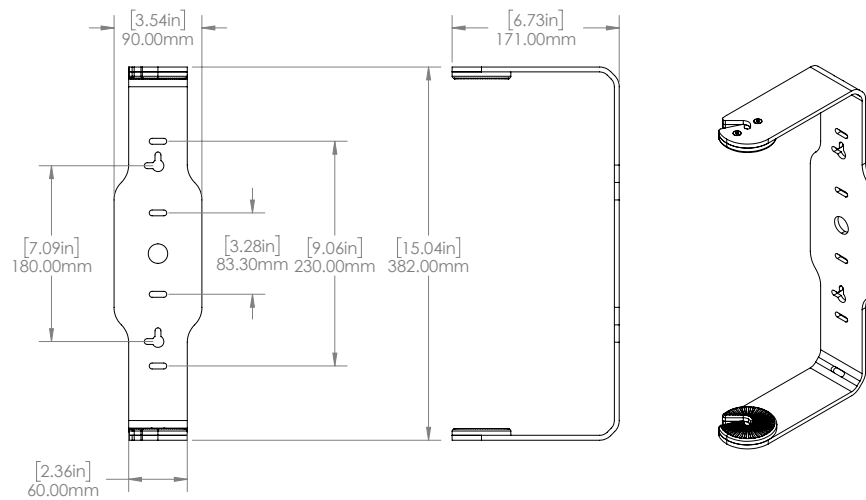


(B) Subwoofer Side Profile



(C) Subwoofer Top View

• MOUNT BRACKET



*All product specifications are subject to change. Please refer to ambisonicsystems.com for latest information.

4A. WHAT'S INCLUDED

1 X PAIR ASM63 SPEAKERS / ASM63SUB SUBWOOFERS

- 2 x Wall Bracket Mounting Hole Templates
- 2 x Mounting Brackets
- 4 x T20 Stainless Steel Torx TR Screws
- 4 x Wall Anchors
- 1 x T20 Torx TR Wrench
- 2 x 2P Phoenix connectors
- 2 x Eyelet Hooks
- 2 x Powder Coated Aluminum Grilles
- 4 x Grille Screws (Not shown)
- 1 x Allen Key for grille screws (Not shown)

4B. REQUIRED TOOLS

- Speaker Wire
- Drill & Drill Bit 1/8" (3mm)
- Stud Finder
- Pencil
- Hex wrench
- Level
- Wire Stripper
- Fish Tape
- Measuring Tape

4C. RECOMMENDED AMPLIFIERS

- **THE RECOMMENDED ORIGIN PRO AMPLIFIERS HAVE BEEN BUILT TO OPTIMIZE ASM63 SPEAKER AUDIO PERFORMANCE.**

- The minimum recommended amplifier for a 2 x Speaker/ 1 x Subwoofer system setup is the **Origin PRO ProA250.2 Amplifier**
- The minimum recommended amplifier for an 4 x Speaker/ 2 x Subwoofer system setup is the **Origin PRO ProA250.4 Amplifier**

5A. SPEAKER WIRE TIPS

You will need a wire that has at least two conductors; one that can be identified as the positive and the other as the negative. All two conductor wires have some means of identifying which conductor is which, but at times this identification may be subtle. It's crucial that you keep track of which wire you use for positive (+) and negative (-). Typically, if the wires are colored red and black, the red wire is used for positive and the black wire is used for negative, but sometimes other colors or patterns are used. You can choose whichever color of wire you want to be positive and negative as long as you remain consistent throughout the install.

On both your amplifier and your speaker, the connectors will be identified as red for positive and black for negative. It is very important to look carefully at the speaker wires and be certain that the same wire that is attached to the positive connector in the amplifier is attached to the positive connector in the speaker. If the negative and positive wires are switched, speaker performance will be drastically impacted.

5B. RECOMMENDED WIRE

WIRE INSTALLATION

Wire Length	Wire Gauge
0 - 100' (0 - 30m)	16
50 - 150' (15 - 45m)	14
Over 100' (30m)	12

The gauge of wire used can have an impact on the performance of your speakers. Use a multi-stranded wiring designed for amplifier to speaker connections. Which gauge to select depends on the length of wire to be used on any particular speaker. The longer your run is, the larger your wire size must be.

In residential systems, for relatively short runs (less than 50 feet) to 8 ohm speakers, 16 gauge wire will be usually suitable.

5C. WIRE ROUTING

Plan how you'll route the wire to the desired speaker location. There are several methods for routing the wire, and you may need to combine several of them.

Behind the Baseboard

The wire can be routed behind the baseboard by cutting a groove out of the back of the baseboard, or by buying special baseboard designed for concealing wires.

Through Walls

When running wires through a wall, be sure to avoid all obstacles such as AC wiring, pipes, and ducts.

Attic or Basement

When available, you can route the wire through an attic or crawlspace.

Under the Carpet

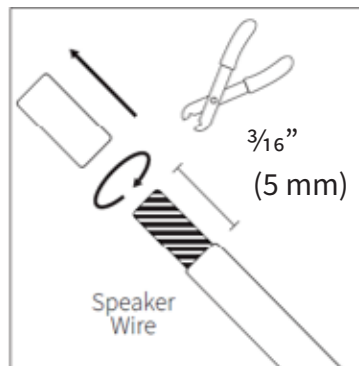
One option is to lift the carpet and route "tape wire" under the carpet.

For New Construction

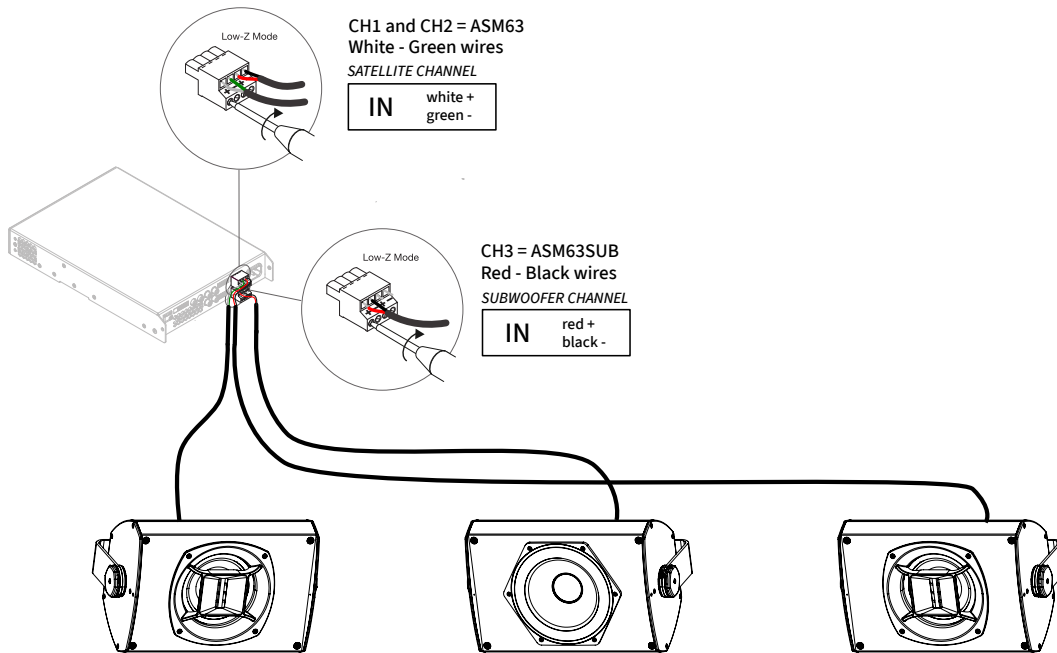
If these speakers are being installed in a new home during construction, the installation process will be a bit different (although much simpler). For these situations, it is recommended you purchase a bracket. Instructions on how to install the speakers are provided with the bracket, or can be found on our website. Visit www.originacoustics.com for more information.

6. INSTALLATION OF WIRE TO THE AMPLIFIER

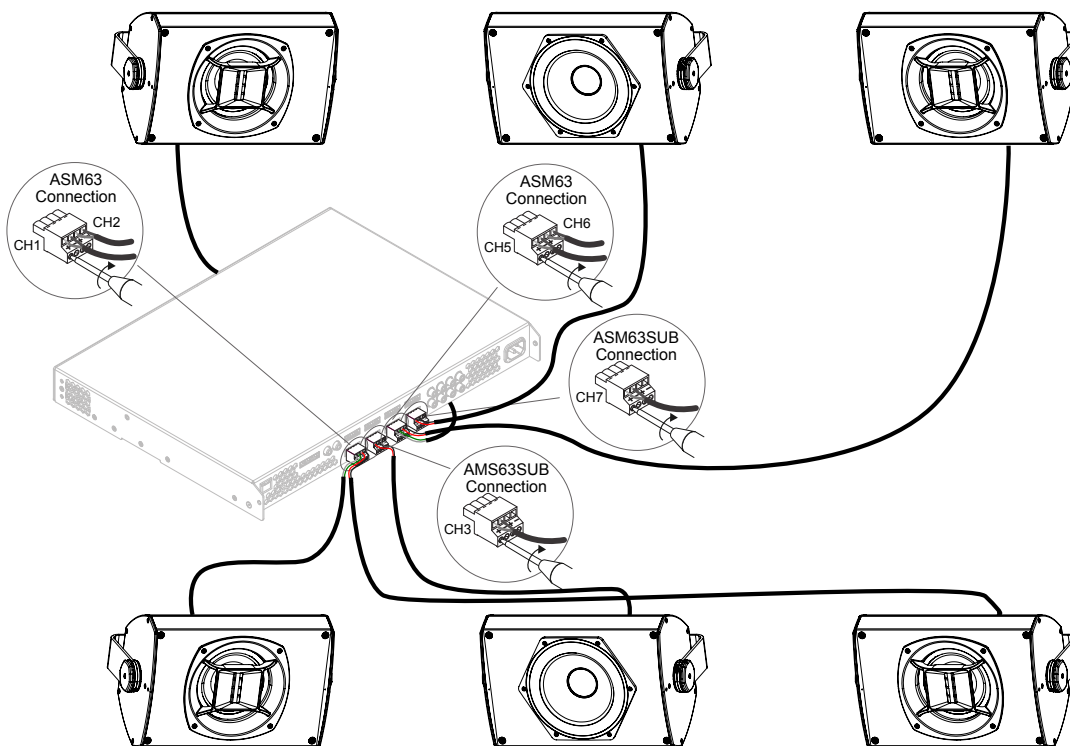
- Strip $\frac{3}{16}$ inches (5 mm) of the insulation off both ends of the wire.
- To avoid stray strands, twist them at the end.
- Connect the speaker wire to the amplifier, but don't plug in the AC power just yet.
- Route this wire to the speaker location. Continue speaker wiring in the following steps.



Wiring Diagram for 8Ω system with ProA250.2 Amplifier



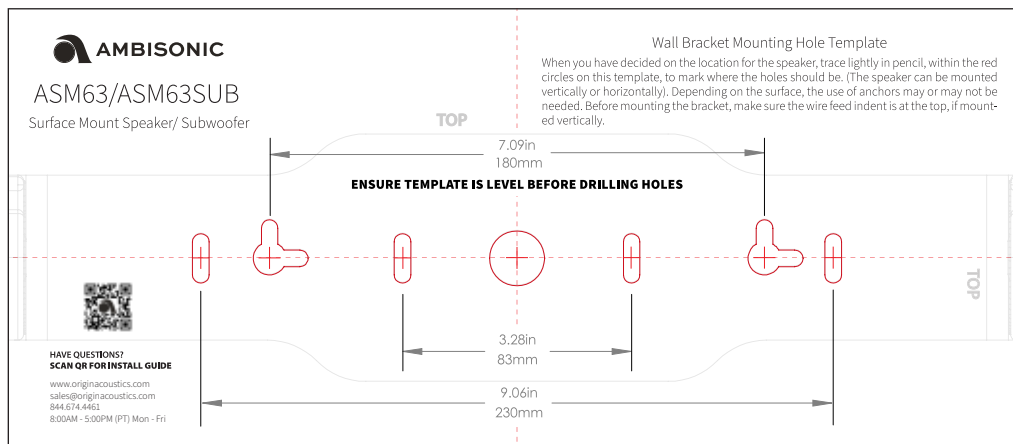
Wiring Diagram for 8Ω system with ProA250.4 Amplifier



7A. MOUNTING THE BRACKET (HORIZONTAL MOUNTING)

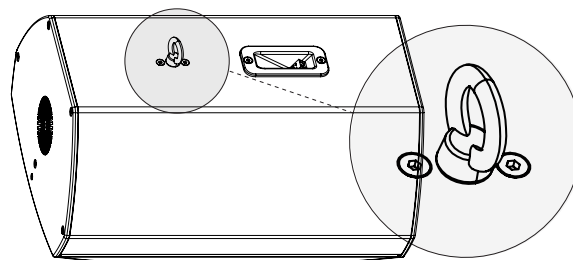
1. Run the speaker wires from the amplifier to the speaker location. Be sure to leave enough wire at the speaker location to feed through the hole in the speaker enclosure and wire to the terminal connector on the front.
2. Use the included Mounting Template to attach the mount bracket to the mounting surface. Use the 4 supplied screws, using studs or anchors, that are appropriate for the type of surface. Use the supplied T20 Torx TR Wrench tool to screw in these screws.

NOTE: If mounting vertically, ensure the wire feed indent is at the top.



NOTE: If the installation requires that the speakers be mounted on poles, you can attach the bracket to poles using U-bolt (not included).

3. Pull the speaker wire through the indicated wire feed indent on wall mount bracket. Then feed the wire from this mount bracket, through the metal wire loop, and into the Phoenix connector on the back of the speaker.

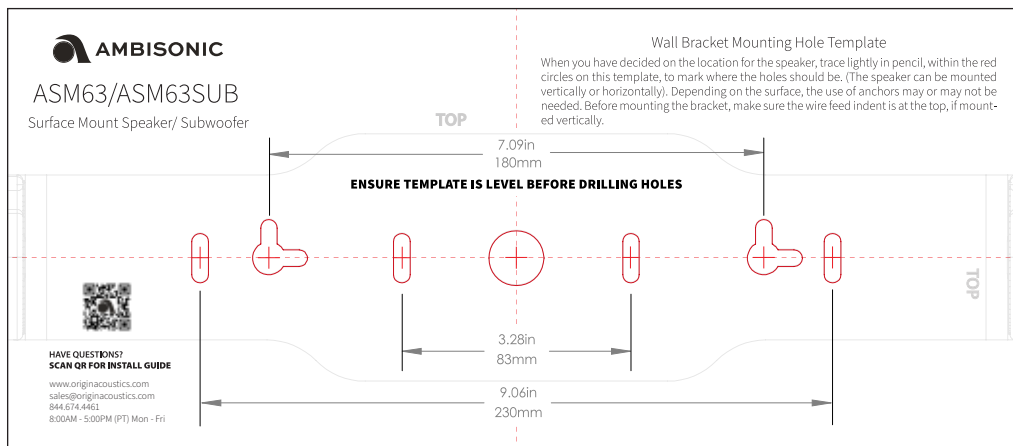


NOTE: Make sure there is enough slack in the wire that will allow the speaker to pivot vertically or rotate horizontally on the bracket.

7B. MOUNTING THE BRACKET (VERTICAL MOUNTING)

1. Run the speaker wires from the amplifier to the speaker location. Be sure to leave enough wire at the speaker location to feed through the hole in the speaker enclosure and wire to the terminal connector on the front.
2. Use the included Mounting Template to attach the mount bracket to the mounting surface. Use the 4 supplied screws, using studs or anchors, that are appropriate for the type of surface. Use the supplied T20 Torx TR Wrench tool to screw in these screws.

NOTE: If mounting vertically, ensure the wire feed indent is at the top.



NOTE: If the installation requires that the speakers be mounted on poles, you can attach the bracket to poles using U-bolt (not included).

3. Pull the speaker wire through the indicated wire feed indent on TOP of the wall mount bracket. Then feed the wire from this mount bracket, through the metal wire loop, and into the Phoenix connector on the back of the speaker.

NOTE: Make sure there is enough slack in the wire that will allow the speaker to pivot vertically or rotate horizontally on the bracket.

If you're mounting the ASM63 speaker vertically but want to maintain the proper sound-stage (dispersion), YOU MUST ROTATE 90° THE HIGH-PERFORMANCE DRIVER'S ASSEMBLY.

Here is how you can safely rotate the woofer and ribbon tweeter assembly:

Tools You'll Need:

- Allen Wrench / (#1.5 and #3)
- A soft surface (like a towel) to lay the speaker on to avoid scratching the enclosure.

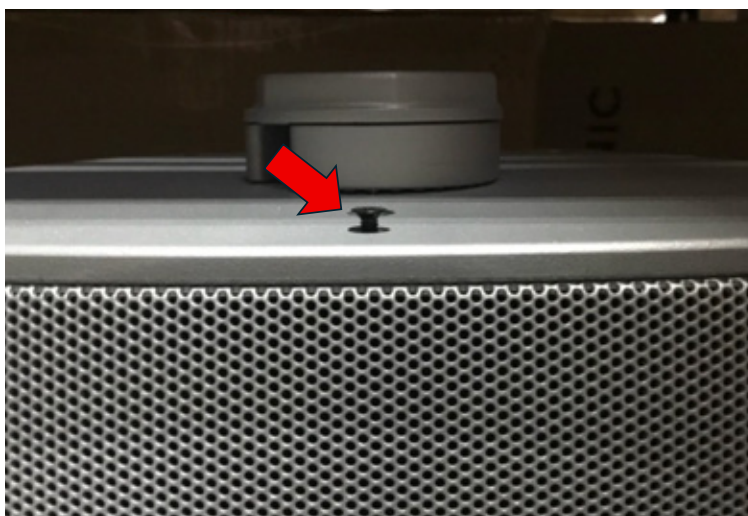
NOTE: If mounting vertically, ensure the wire feed indent is at the top.

1. Remove the Grille

The Ambisonic ASM63 grille has two security screws, and they are friction-fitted (can be quite snug).

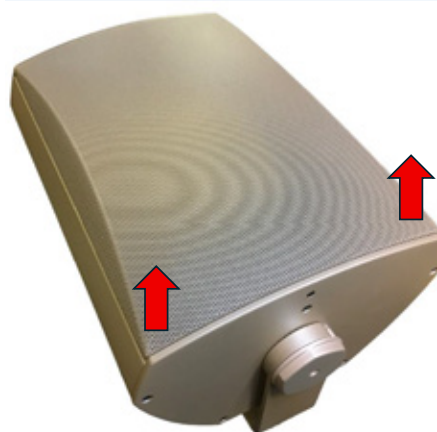
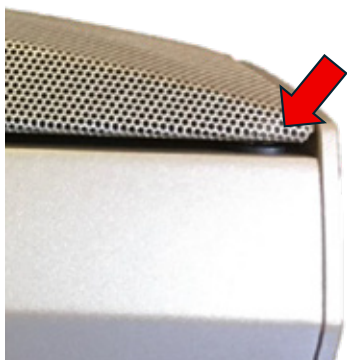
- Place the ASM63 Speaker in the soft surface and using the included Allen wrench (#2) loosen the screw closes to the grille so they are at least ¼' out, (Do the same to the other side of the grille)





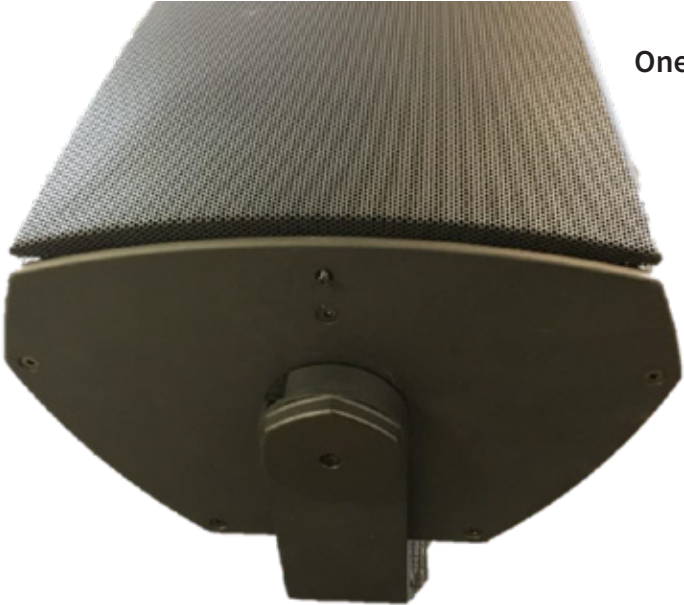
- Once both screws are loosened using both hands place your finger near the corners of the short side of the grill and pull gently toward you (away from the speaker enclosure) so you can pull out the two grille pins from the rubber grommet, repeat the same process to the other side of the grille. **Do not use a flathead screwdriver, as it can scratch the speaker's cabinet and dent the Aluminum grille.**

Location of the Grille pin
(4 corners)



Pull both grille corners up
at the same time

One side of the grille is out



2. Removing the screws holding the driver assembly

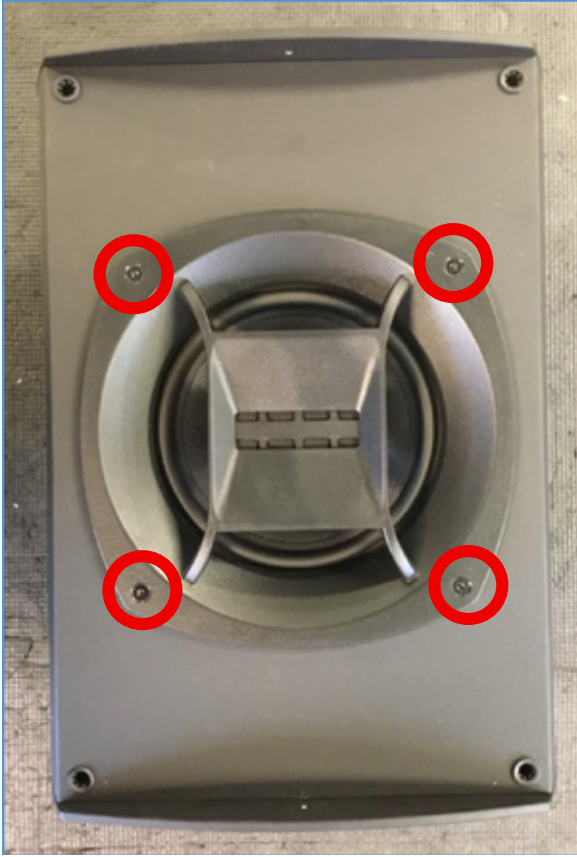
Once the grille is off, identify your input connector and oriented the enclosure so it's located to your right side, and set you speaker cabinet so the driver assembly is up (top).

driver assembly



input connector

- Using the #3 Allen wrench unscrew and remove the 4 screws (place screws in a safe place).



3. Lift and Rotate

Gently brag the longest part of the Ribbon bridge assembly forward.

Note: Do not pull too hard or too fast. There are wires connected to the back of the drivers leading to the internal crossover.



- Once you have an inch of clearance, rotate the entire woofer and ribbon tweeter driver assembly **90 degrees clockwise**.



- This will ensure that the wires aren't being pinched or overly twisted during the rotation
- Place the driver assembly down into the enclosure.

4. Reseat and Secure

Align the screw holes in the new orientation.

- Place 1 screw and using your Allen wrench hand-tighten the screw first to ensure they aren't cross-threaded, then do the same to the other 3 screws.
- Once you have all screws in place and the driver assembly centered tighten them in a "cross pattern" (for example top right, then bottom left, then top left, then bottom right) to ensure an even, watertight seal.



5. Re-install in place the Grille

- Align the grille post to the rubber grommets and pressing only the corners of the grille push it back into place.



One side of the grille is installed



Need to press fit grille in place

- Once the grille is back in position, screw back the two grille screws until they are flush with the side of the enclosure.



IMPORTANT! The Aluminum grille is soft and must be handled with care:

- When re-installing back the grille, check that all the posts are align with the rubber grommet and when you are pressing down, **do not force it**. You can damage the rubber grommet and in extreme cases you can push in inside of the enclosure, if this situation happens you are no longer able to install the speakers and should contact Origin Acoustics customer service.

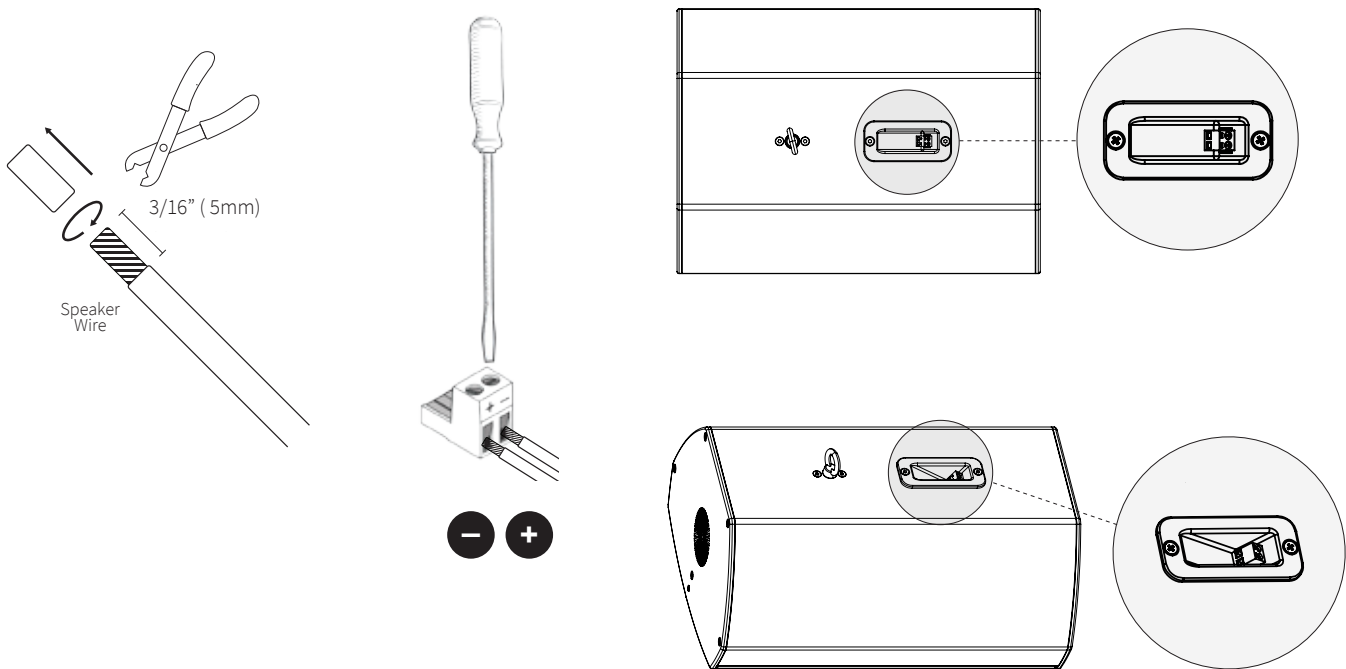
- **NOTE:** *The speaker is meant to be used in its factory orientation.*

8A. ATTACHMENT OF WIRE TO THE SPEAKER

Once wires are routed through the bracket to the speaker, the wires can now be attached to the connectors at the rear of the enclosures:

8B. INSERTING 2 PIN CONNECTIONS

1. Take the speaker wire and strip approximately 3/16" (5mm) of the insulation of each wire, and twist them at the end to avoid stray strands.
2. Insert the wire into the square connector opening of the Phoenix connector. Use a small flat head screwdriver to tighten the corresponding screw and secure the wire. Pay attention to speaker wire polarity, Positive (+) and Negative (-), when wiring to the amplifier speaker wires.

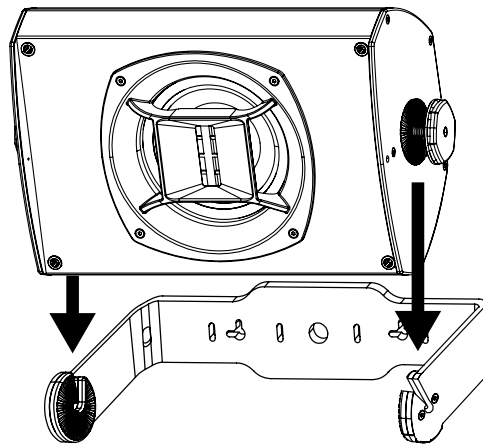


9. TESTING THE SYSTEM

WE RECOMMEND TESTING THE SYSTEM BEFORE FINAL MOUNTING, TO ENSURE THE SPEAKER IS INSTALLED AND WORKING PROPERLY.

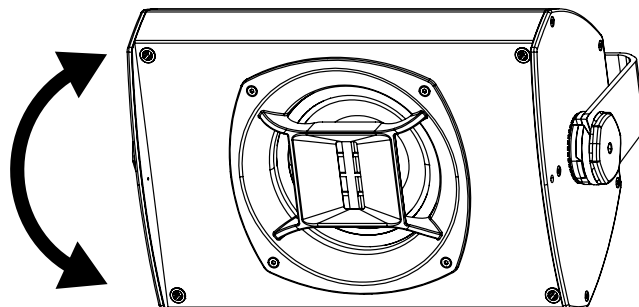
9A. MOUNTING SPEAKER TO BRACKET

Once speaker has been tested, the speaker can be attached to bracket, using the end caps to screw the speaker into the mounted metal bracket.



9B. PIVOTING MOUNTED SPEAKERS

You can now rotate and tilt the speaker to reach the desired vertical angle. This allows the sound to be aimed towards the listeners as required.



10. CONNECTING THE SYSTEM

Ambisonic Surface Mount Speakers should be installed with Origin PRO Amplifiers for a seamless, optimal listening experience, with ready-to-go, dedicated DSP profiles.

Select and set up the corresponding DSP profile to each speaker, for optimum sound and bass control.

Scan the QR code below or see docs.originacoustics.com to access the correct DSP profile.



- Depending on your TV and other equipment you wish to connect, identify the Audio OUT from your source (RCA or SPIDIF connection) and connect to the ProA Analog or Digital INPUT.
- Set up the ProA amplifier input and output routing, using the amplifier GUI, and select the corresponding DSP profiles.
- Connect the speakers with the ProA amplifier using speaker wire. Insert the wires into the connectors, making sure that the positive wire is being attached to the red connector and the negative wire is being attached to the black connector. If the negative and positive wires are switched, speaker performance will be drastically impacted.
- Connect the amplifier to the power supply. **Double check all the wiring before turning on.**

PLEASE CONTACT OUR CUSTOMER SERVICE FOR ANY INQUIRY REGARDING THE SETUP.

11. PERFECTING THE SYSTEM

Turn on the amplifier. Calibrate all the speakers in the system according to the amplifier's manufacturer's instructions.

MAKING AMPLIFIER ADJUSTMENTS

1. From your ProA amplifier, select the DSP profile according to the speaker that its connected. Select the correct input source and adjust the gains accordingly
2. "Phase" adjustment should come next. This adjustment can have a subtle effect, but it is worth doing. You won't need to sweat getting it exact; the important thing is to avoid getting it wrong.

When tuning by ear:

- a. If you are using a home theater receiver, during set-up there will be section asking you to enter the distance from the listener to the speakers. You should do this before proceeding. If you are using a receiver that does not have this feature, don't worry, the following steps will still get everything right.
 - b. For source material, a test CD with an 80Hz or 100Hz test tone (either sine wave or $\frac{1}{3}$ octave pink noise) is best but anything with constant bass can also work well.
 - c. Set the volume so that the bass level sounds approximately right to slightly bass heavy.
 - d. You will want to be in the critical listening area. Have a helper adjust the phase control until the bass level sounds the loudest. If you are using music or video tracks for this test, listen for the mid-bass level as the low bass will be unaffected. At this stage you're listening for the loudest bass, not the best.
3. When tuning by measurement, you will use the same method as above except:
 - a. Replace your ear with an SPL meter. An inexpensive SPL meter works fine or you can download a free app for use on your phone.
 - b. Unfortunately, the music CD with constant bass won't work here. You will need to use a test CD.

12. TROUBLESHOOTING

If you have a problem, try isolating it first. For example, if you're playing a Blue-Ray and there is no sound, try connecting a music streamer to see if you get sound. If it does work, then the problem is with the television, Blue-Ray player, or the cables connecting them. If it doesn't work, the problem will be with the amplifier, speakers, or those cables.

Problem	Possible Cause
No Sound	The volume may be turned down or muted. Check the volume settings on both the amplifier and the Blue-Ray player/television/computer/etc.
No Sound	Make sure the proper source is selected on the amplifier or receiver.
No Sound	Check the cord connecting the amplifier with the source. The cord may be damaged or plugged into the wrong input or output.
No Sound	Check the wires connecting the amplifier with the speakers. Make sure they're connected properly and not damaged in any way.
No Sound	Check the ProA Gain levels using the Origin PRO Web App/ GUI
No Sound	Check the ProA Input routing using the Origin PRO Web App/ GUI
Poor Sound Quality	If you hear something like static, or the sound is cutting in and out, check the audio cables. If the problem increases when a cable is being moved, then the cable is most likely faulty or not connected properly.
Poor Sound Quality	Today's audio systems may have several places to adjust the volume, for example your MP3 player may have a volume control, and your amplifier may also have one. Check to be certain that the volume isn't turned up past 80% on any device.
Poor Sound Quality	Try changing sources to be certain that the selection you've chosen is a good quality recording.

13. TECHNICAL ASSISTANCE

If you have any questions or concerns about installing or using this product, you can reach us through one of the following methods:

Phone: (844) 674 - 4461

Hours of operation: 8:00am - 5:00pm (Pacific Time), Mon - Fri

Email: sales@originacoustics.com

If you are having technical trouble, please include the model number and briefly explain what steps you took to resolve the problem in your email, or be prepared to answer these questions over the phone. If you are considering returning the product, it's required that you contact Ambisonic prior to any return attempts. This way we can determine if the issue can be resolved without returning the product, or if needed we can provide instructions and support for the return process.

14. LIMITED 5 YEAR WARRANTY

Ambisonic warrants to the original retail purchaser only that this Ambisonic product will be free from defects in materials and workmanship, provided the speaker was purchased from an Ambisonic authorized dealer.

If the product is determined to be defective, it will be repaired or replaced at Ambisonic's discretion. If the product must be replaced yet it is no longer manufactured, it will be replaced with a model of equal to or greater value that is the most similar to the original. If this is the case, installing the replacement model may require mounting modifications; Ambisonic will not be responsible for any such related costs. (Note: Origin ProA amplifier will also carry its own limited warranty, refer to its manual.)

14A. REQUIREMENTS & WARRANTY COVERAGE

This warranty may not be valid if the product was purchased through an unauthorized dealer. This warranty only applies to the individual that made the original purchase, and it cannot be applied to other purchases. The purchaser must be prepared to provide proof of purchase (receipt). This warranty will not be valid if the identifying number or serial number has been removed, defaced, or altered.

**Please refer to docs.originacoustics.com for the latest information.*

14B. NOT COVERED BY WARRANTY

- Accidental damage
- Damage caused by abuse or misuse
- Damage caused by attempted repairs/modifications by anyone other than Ambisonic or authorized dealers
- Damage caused by improper installation
- Normal wear, maintenance, and environmental issues
- Damage caused by voltage inputs in excess of the rated maximum of the unit
- Damage inflicted during the return shipment
- Performance issues caused by modifications. ie: painting of the shell.

15. RETURN PROCESS

Before making any return attempts, it is required that you first contact Ambisonic customer support team. Return product to Ambisonic or your dealer, either in person or by mail. It's preferable if the product is returned in the original packaging. If this isn't possible, the customer is responsible for insuring the shipment for the full value of the product.

This warranty is in lieu of all other expressed or implied warranties. Some states do not allow limitations on implied warranties, so this may not apply depending on the customer's location. (For more information, see Magnuson-Moss Warranty Act.)



6975 S Decatur Blvd, Las Vegas, NV 89118 • www.ambisonicsystems.com • 844-674-4461

©2025 Ambisonic. All copyrighted, trademarked and patented elements mentioned herein are the sole property of Ambisonic Systems.