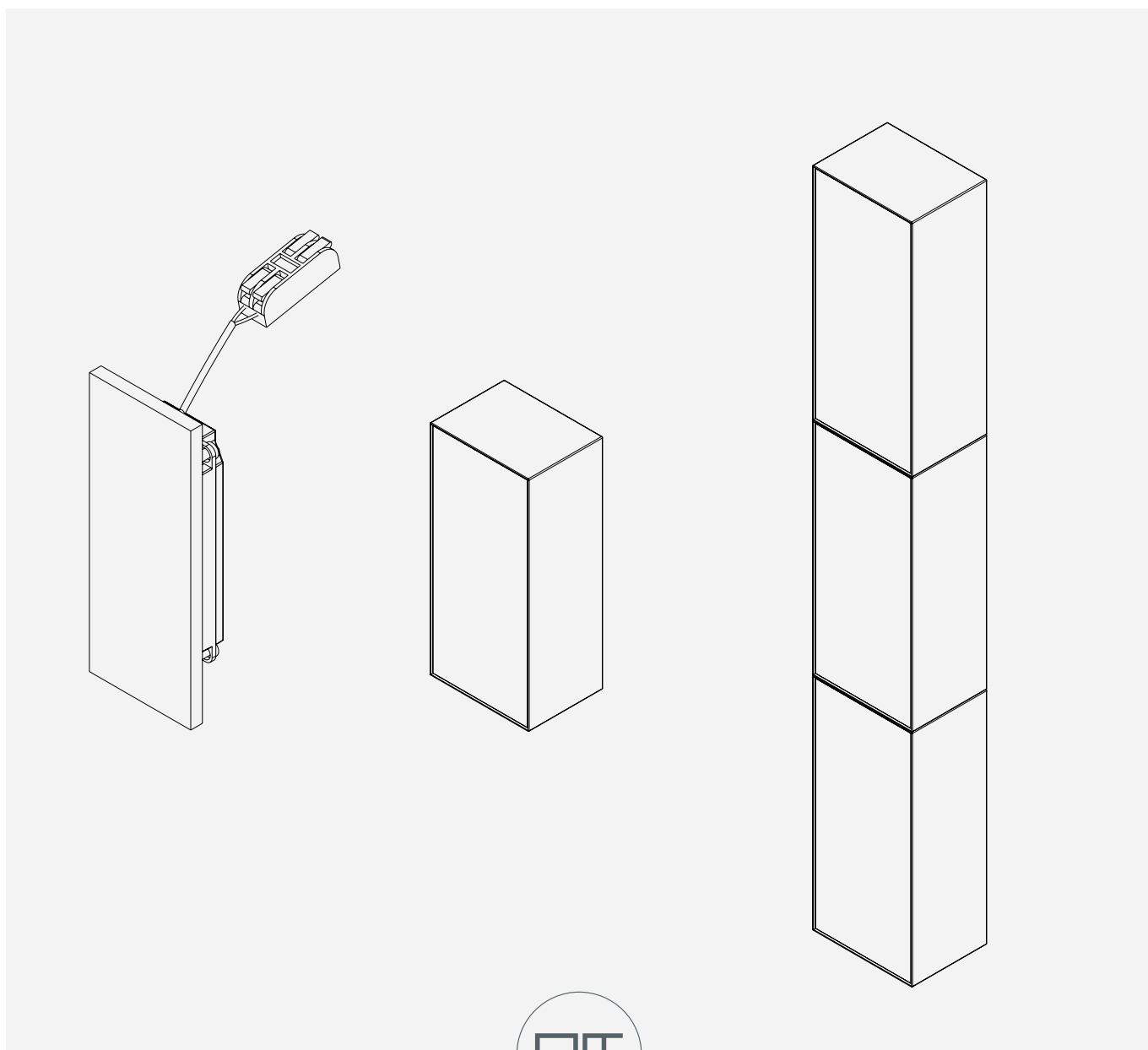


Artcoustic^{AC}

SL MIKRO

Owners manual



WELCOME TO THE WORLD OF ARTCOUSTIC

Congratulations with your purchase of the Artcoustic SL Mikro Series speaker.

The new Artcoustic Mikro redefines what's possible from a truly compact loudspeaker. Measuring just 138 × 54 × 26 mm, Mikro delivers a remarkably wide frequency response (300 Hz – 18,000 Hz, -6 dB) and impressive output up to 108 dB peak.

Designed for in-wall and in-ceiling installations, Mikro features Artcoustic's Smart-Fit magnetic mounting system, ensuring fast, secure, and discreet integration into any residential or commercial environment.

Despite its ultra-slim profile, Mikro Ci produces big, dynamic sound and pairs perfectly with any of the Artcoustic subwoofers for full-range, high-fidelity installations.

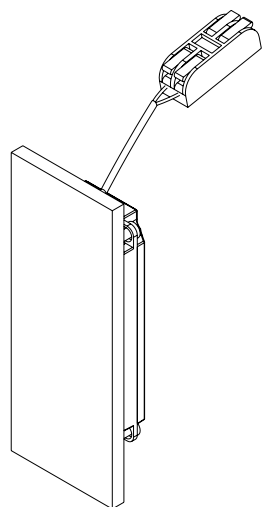
Thank you for purchasing the Artcoustic SL Mikro Ci.

All the best,

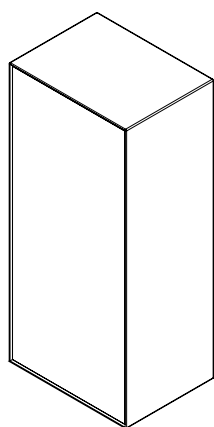
The Artcoustic Team

FEATURES

SL MIKRO SERIES SPEAKER



SL Mikro Ci isometric view



SL Mikro isometric view

HIGH PERFORMANCE

102 dB continuous SPL, 108 dB peak.
Up to 117 dB peak when used in array.

OUTDOOR READY

fully weather resistant for covered exterior applications.

ULTRA-COMPACT DESIGN

only 138 × 54 × 26 mm (only 126 x 57 x 47 for the Mikro)

EASY INSTALLATION

Quick and easy in-wall / in-ceiling / on-wall installation with in-house developed Smart-Fit system.

DESIGN FRIENDLY






available in 100s of colours, with standard black or white fabric screen.

SPECIFICATIONS

SL MIKRO Ci SPEAKER

The new Artcoustic Mikro redefines what's possible from a truly compact loudspeaker. Measuring just 160 × 40 × 35 mm, Mikro delivers a remarkably wide frequency response (300 Hz – 18,000 Hz, -6 dB) and impressive output up to 108 dB peak – performance normally reserved for far larger speakers.

FEATURES

OPERATING RANGE	SENSITIVITY	MAX SPL	MAXIMUM POWER	IMPEDANCE	NOMINAL BEAM WIDTH
300 Hz — 20 kHz					
Usable LF 297 Hz (-6 dB)	86 dB	108 dB	15 Watts	8 ohms	90° Horizontal 90° Vertical

CHARACTERISTICS

PERFORMANCE

- Frequency range 300 Hz to 40 kHz
- Usable LF response 297 Hz (-6 dB)
- Coverage window 90° Horizontal, 90° Vertical
- Sensitivity @ 1 Watt 86 dB
- Power handling 15 Watt
- Maximum continuous SPL @ 1 meter 102 dB
- Maximum acoustic peak SPL $_{crest\ factor\ 6}$ @ 1 meter 108 dB
- Rated Impedance 8 ohms

TRANSDUCER

- FR – 1 x 1.5 inch cone
- 1 x Passive radiator

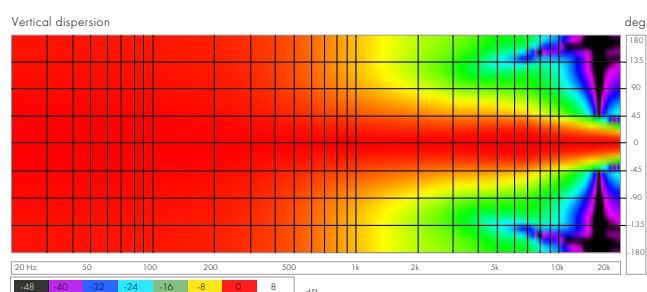
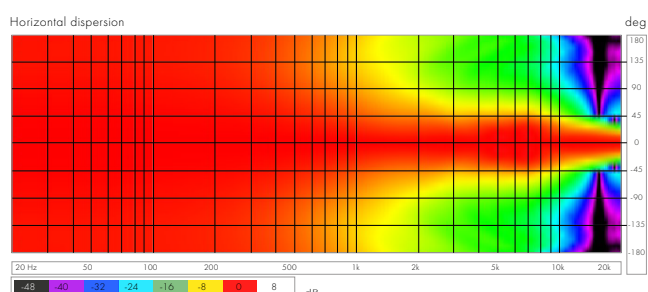
MATERIAL

- Comosite and plastic

DESIGN

- Screen: Black, White, RAL/NCS Colours
- Weight 0.2 kg
- Dimensions H: 138 W: 54 D: 26 mm

POLAR RESPONSE








SPECIFICATIONS

SL MIKRO SPEAKER

The new Artcoustic Mikro redefines what's possible from a truly compact loudspeaker. Measuring just 160 × 40 × 35 mm, Mikro delivers a remarkably wide frequency response (300 Hz – 18,000 Hz, -6 dB) and impressive output up to 108 dB peak – performance normally reserved for far larger speakers.

FEATURES

OPERATING RANGE	SENSITIVITY	MAX SPL	MAXIMUM POWER	IMPEDANCE	NOMINAL BEAM WIDTH
300 Hz — 20 kHz					
Usable LF 297 Hz (-6 dB)	86 dB	108 dB	15 Watts	8 ohms	90° Horizontal 90° Vertical

CHARACTERISTICS

PERFORMANCE

- Frequency range 300 Hz to 40 kHz
- Usable LF response 297 Hz (-6 dB)
- Coverage window 90° Horizontal, 90° Vertical
- Sensitivity @ 1 Watt 86 dB
- Power handling 15 Watt
- Maximum continuous SPL @ 1 meter 102 dB
- Maximum acoustic peak SPL $_{crest\ factor\ 6}$ @ 1 meter 108 dB
- Rated Impedance 8 ohms

TRANSDUCER

- FR – 1 x 1.5 inch cone
- 1 x Passive radiator

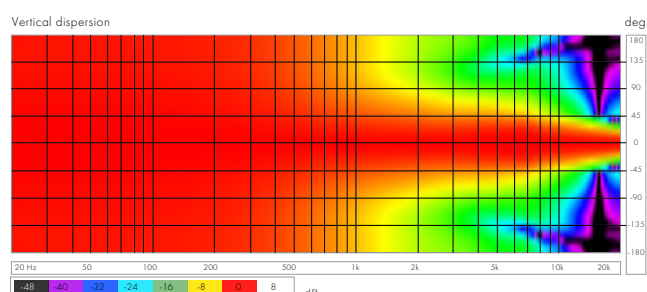
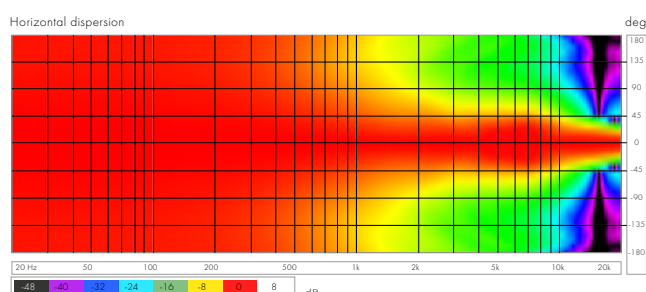
MATERIAL

- Comosite and plastic

DESIGN

- Screen: Black, White, RAL/NCS Colours
- Weight 0.2 kg
- Dimensions H: 126 W: 57 D: 47 mm

POLAR RESPONSE








SPECIFICATIONS

SL MIKRO 2-ARRAY/3-ARRAY SPEAKER

The new Artcoustic Mikro redefines what's possible from a truly compact loudspeaker. Measuring just 160 × 40 × 35 mm, Mikro delivers a remarkably wide frequency response (300 Hz – 18,000 Hz, -6 dB) and impressive output up to 108 dB peak – performance normally reserved for far larger speakers.

FEATURES

OPERATING RANGE	SENSITIVITY	MAX SPL	MAXIMUM POWER	IMPEDANCE	NOMINAL BEAM WIDTH
300 Hz — 20 kHz					
Usable LF 297 Hz (-6 dB)	92 dB 95 dB	114 dB 117 dB	30 Watts 45 Watts	4 ohms 2 ohms	90° Horizontal 35° Vertical

CHARACTERISTICS

PERFORMANCE

- Frequency range 300 Hz to 40 kHz
- Usable LF response 297 Hz (-6 dB)
- Coverage window 90° Horizontal, 35° Vertical
- 2-Array Sensitivity @ 1 Watt 92 dB
- 3-Array Sensitivity @ 1 Watt 95 dB
- 2-Array Power handling 30 Watt
- 3-Array Power handling 45 Watt
- 2-Array Maximum continuous SPL @ 1 meter 108 dB
- 3-Array Maximum continuous SPL @ 1 meter 111 dB
- 2-Array Maximum acoustic peak SPL crest factor 6 @ 1 meter 114 dB
- 3-Array Maximum acoustic peak SPL crest factor 6 @ 1 meter 117 dB
- 2-Array Rated Impedance 4 ohms
- 3-Array Rated Impedance 2 ohms

TRANSDUCER

- 2-Array FR – 2 x 1.5 inch full range
- 2-Array - 2 x Passive radiator
- 3-Array FR – 3 x 1.5 inch full range
- 3-Array - 3 x Passive radiator

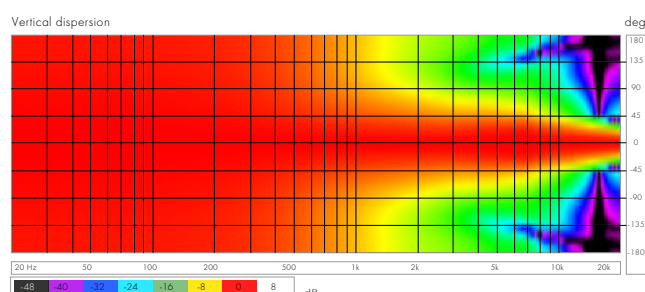
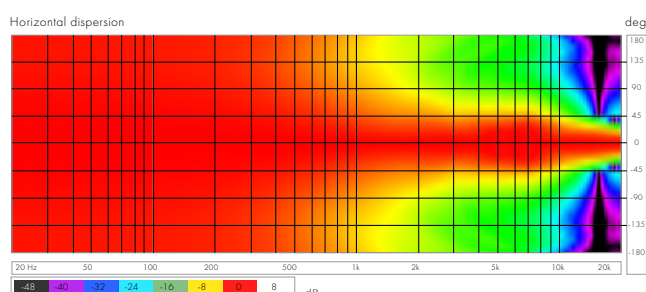
MATERIAL

- Comosite and plastic

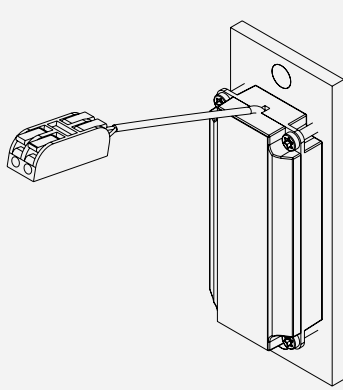
DESIGN

- Screen: Black, White, RAL/NCS Colours
- 2-Array Weight 0.4 kg
- 3-Array Weight 0.6 kg
- 2-Array Dimensions H: 252 W: 57 D: 47 mm
- 3-Array Dimensions H: 378 W: 57 D: 47 mm

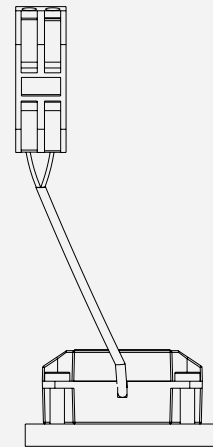
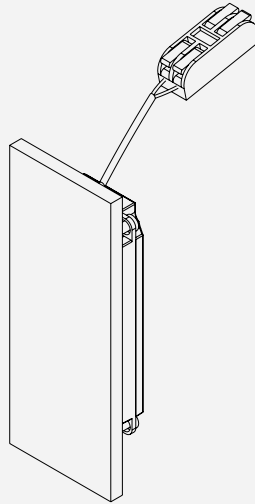
POLAR RESPONSE



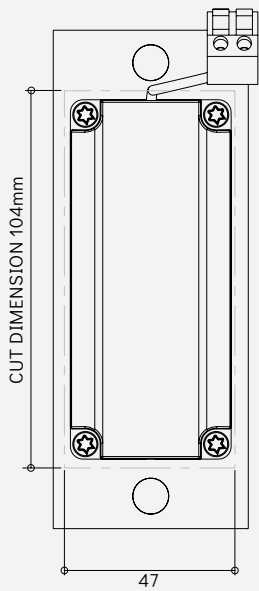
SCHEMATICS



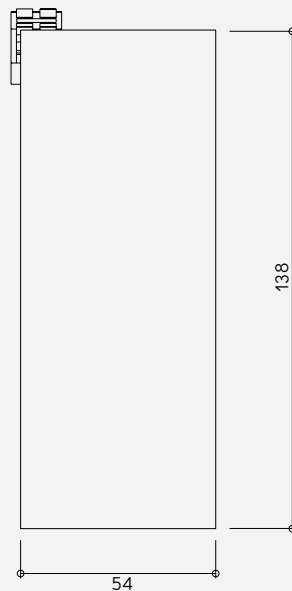
isometric view



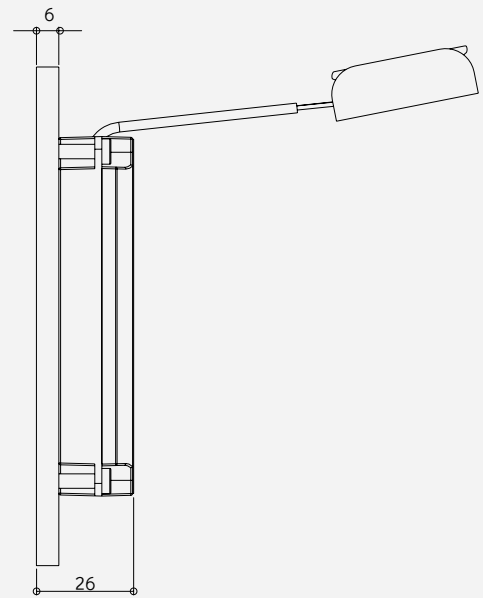
top view



back view

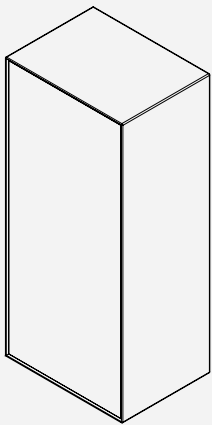


front view

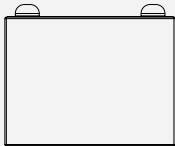
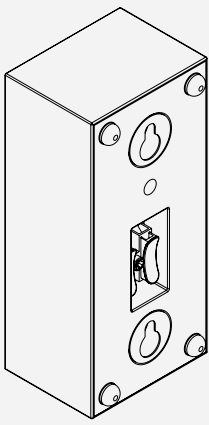


right view

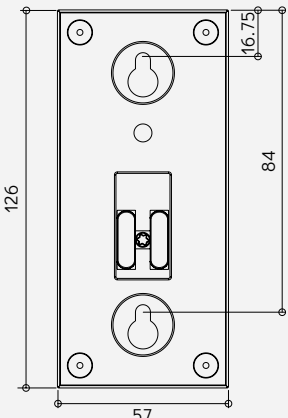
SCHEMATICS



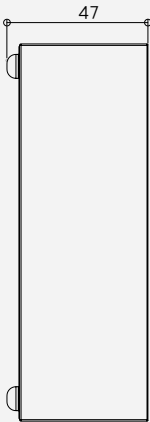
isometric view



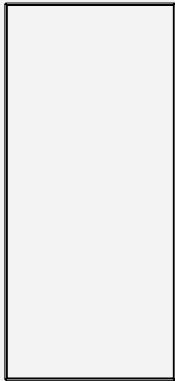
top view



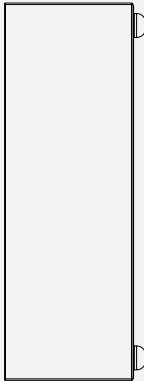
back view



left view



front view

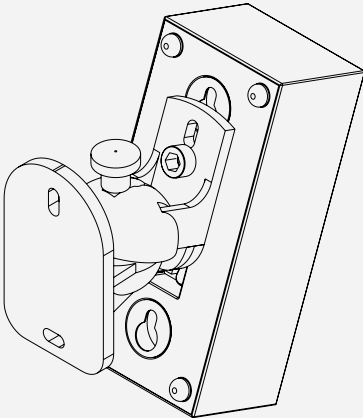


right view

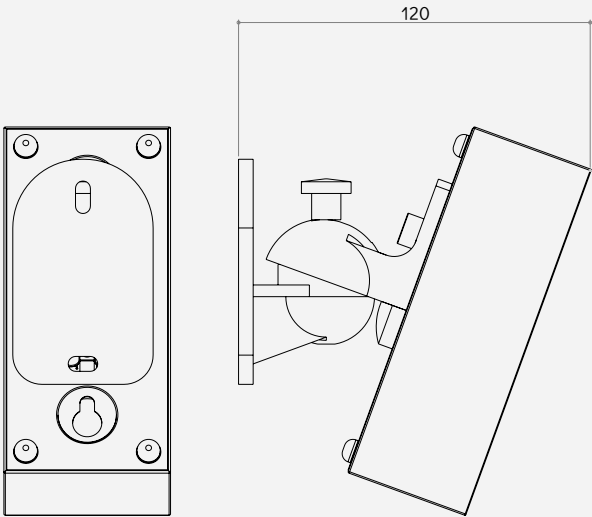


bottom view

SCHEMATICS



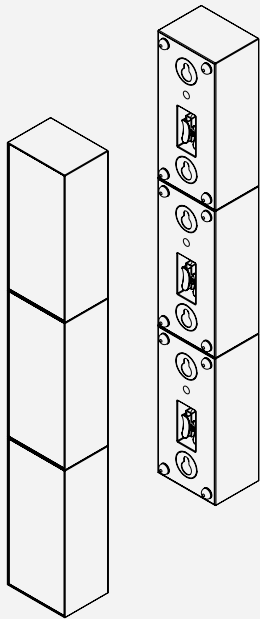
isometric view



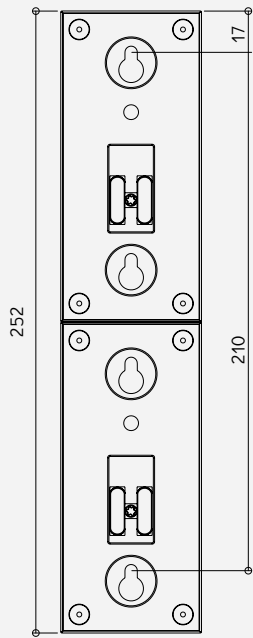
back view

left view

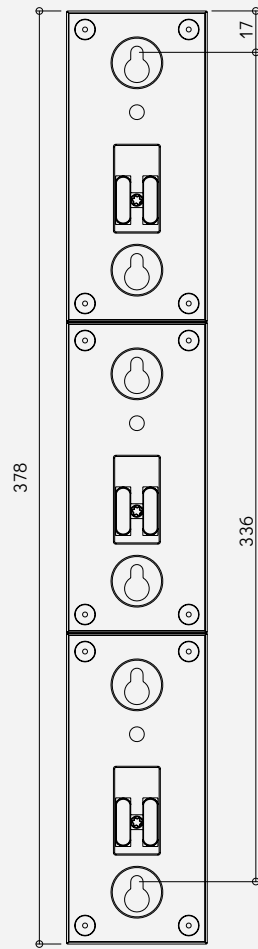
SCHEMATICS



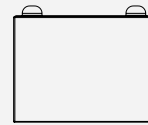
isometric view



2-array rear view



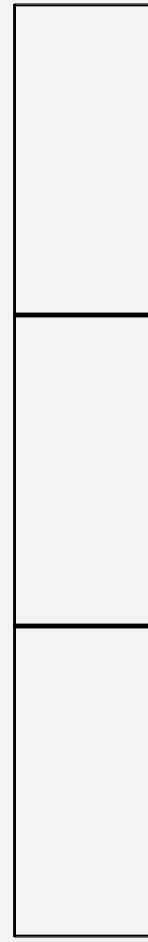
3-array rear view



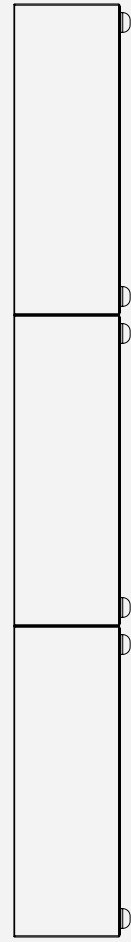
3-array top view



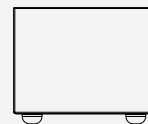
3-array left view



3-array front view



3-array right view



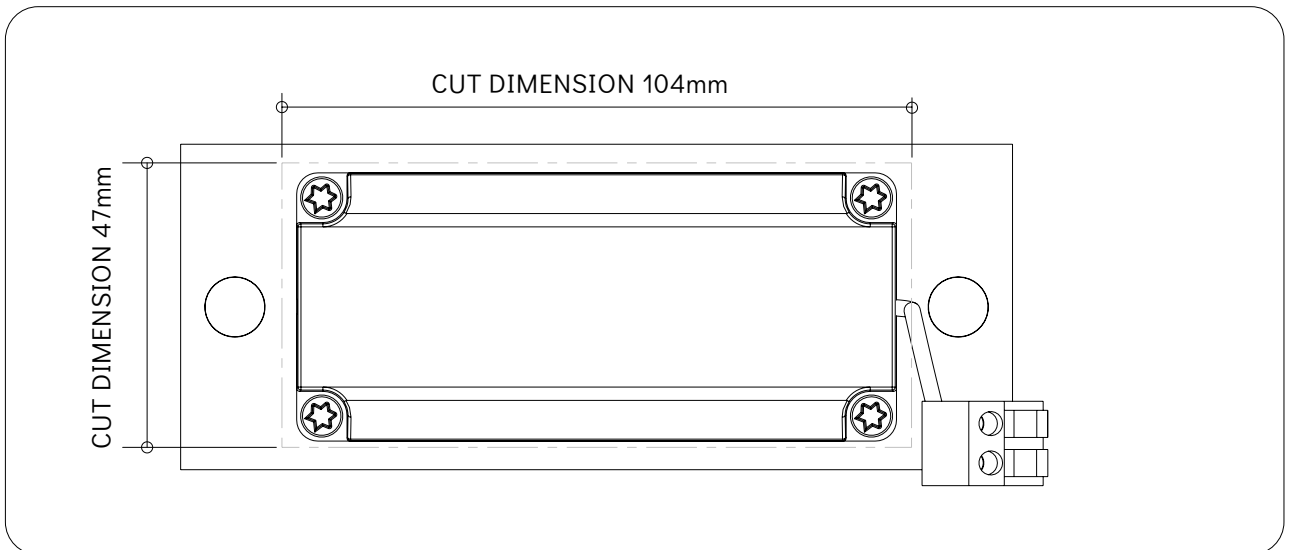
3-array bottom view

dimension are in mm

MOUNTING INSTRUCTION

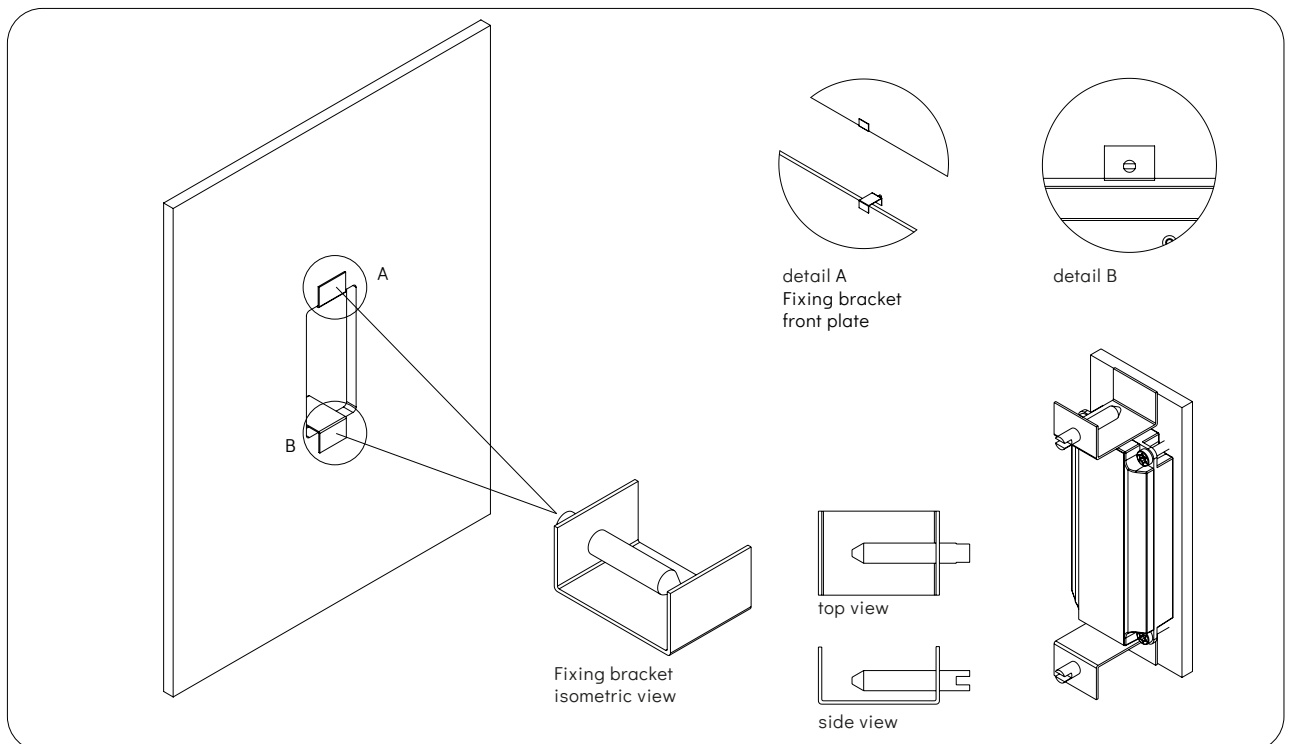
IN-WALL SL MIKRO CI INSTALLATION MADE EASY

1



Cut the hole in the wall according to the template, carefully mark the wall cut out and the fitting bracket position.

2

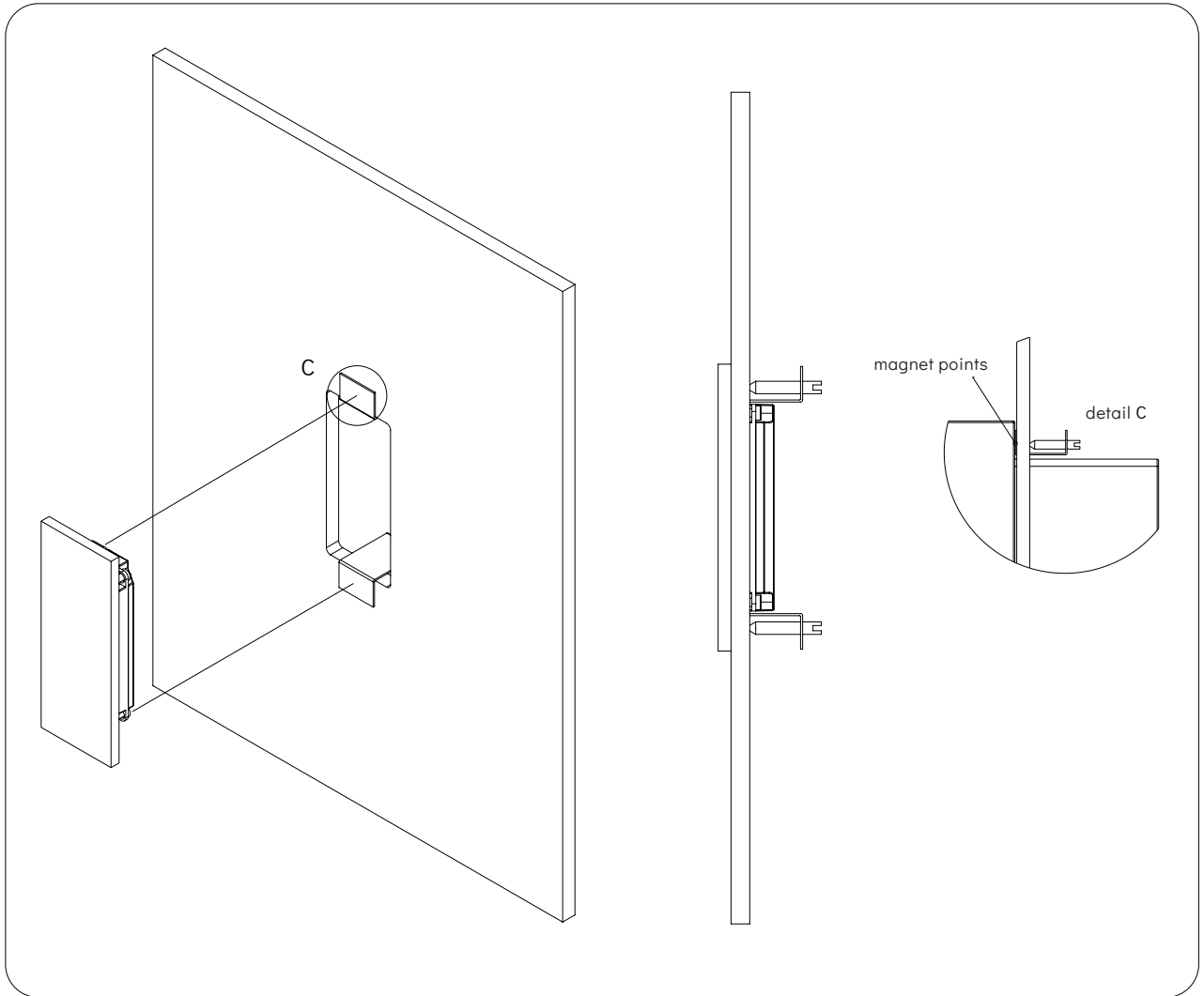


Mount the fixing brackets according to the template position.

MOUNTING INSTRUCTION

IN-WALL SL MIKRO CI INSTALLATION MADE EASY

3

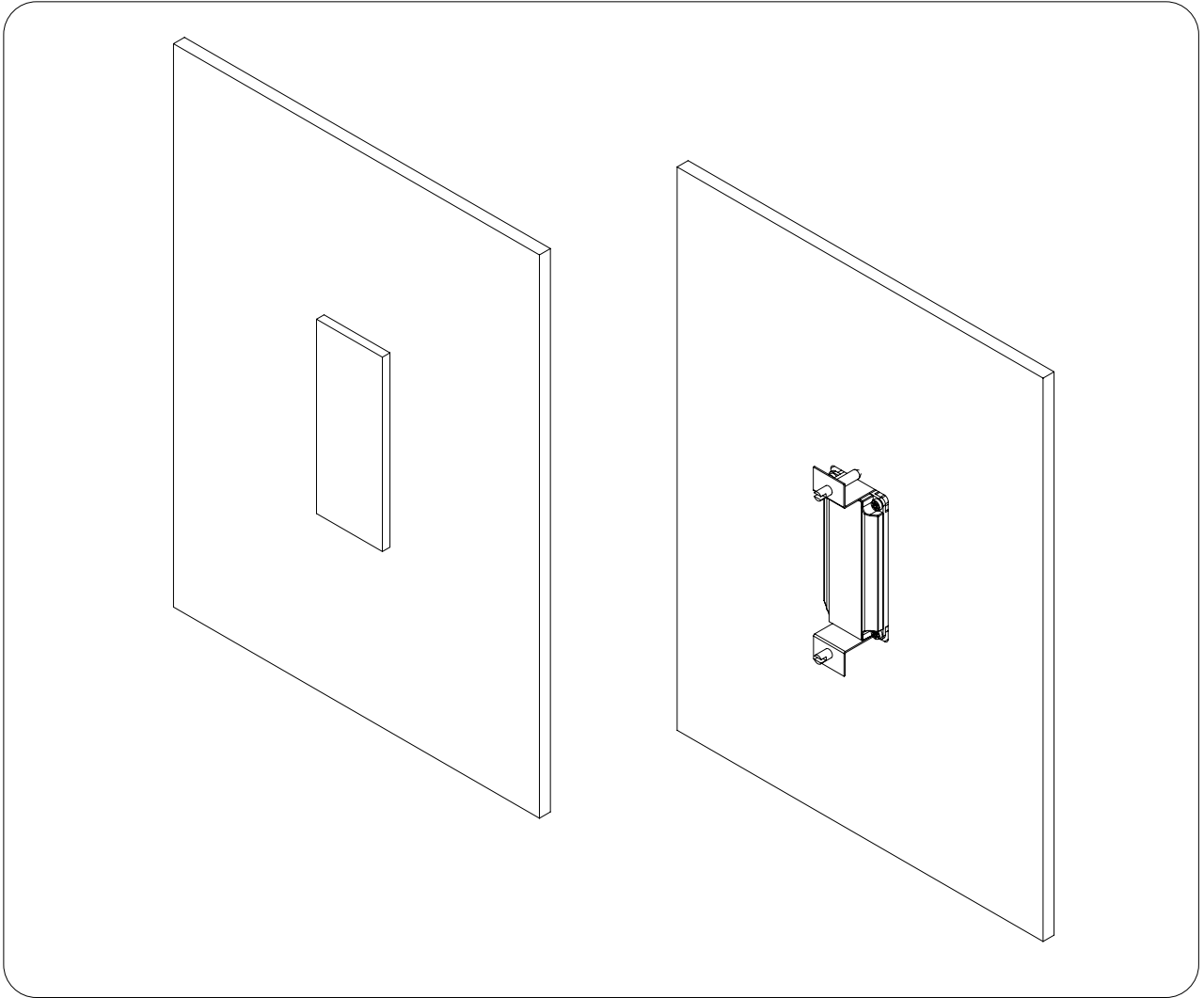


Fit SL Mikro Ci in the cutout until magnets have contact with the four fixing brackets

MOUNTING INSTRUCTION

IN-WALL SL MIKRO CI INSTALLATION MADE EASY

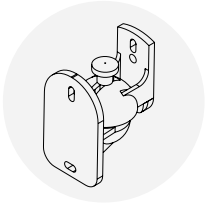
4



Installation finalized
in-wall mounted SL Mikro Ci isometric view

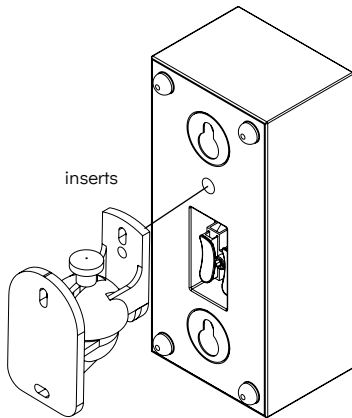
MOUNTING INSTRUCTIONS

SL MIKRO

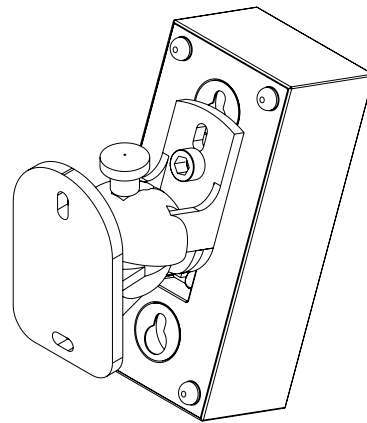


Artcoustic Universal Bracket

Mount Bracket to wall,
with suitable screws



isometric rear view



SL Mikro
Mount bracket to speaker

SAFETY INSTRUCTIONS

SAFETY



Do not use this product near water



Clean rear panel with dry cloth only



Do not block any ventilation opening



Do not install near any heat sources



If wall-mounted, ensure the use of matching screws and rawl plugs

WARNING

This product complies with Part 15 of the FCC Rules. Its operation is subject to the following two conditions:

- This product may not cause harmful interference.
- This product must accept any interference received, including interference that may cause undesired operation.

Changes or modifications not expressly approved by the party responsible for compliance could void the user's authority to operate the equipment.

To reduce the risk of fire and electric shock do not expose this product to rain or moisture.



Do not place product filled with liquids such as vases on the product.



Do not open product. There are no user-serviceable parts inside.



Always use the power supply shipped with this product. Using a power supply with wrong voltage or polarity, can damage the electronics.



WARRANTY

IS APPLICABLE



Is valid only for products purchased from an authorised Artcoustic retailer or dealer.



Is valid from the date of purchase for a period of 3-years for passive loudspeakers, and 2-years for powered loudspeakers and electronics.



Is limited to the repair of the equipment (which could be a repair or replacement at our discretion, neither of which affects your original warranty).



Neither transportation, nor any other costs, nor any risk for removal, transportation and installation of products is covered by this warranty.

IS NOT APPLICABLE

Will not be applicable in cases other than defects in materials and/or workmanship at the time of purchase and will not be applicable:

- For deterioration of component parts, the nature of which is to become worn or depleted with use, such as batteries.
- For damages caused by incorrect installation, connection or packing.
- For damages caused by accidents, lightning, water, fire heat, war, public disturbances or any other cause beyond the reasonable control of Artcoustic and its appointed distributors.
- For damages caused by any use other than correct use described in the user manual, negligence, modifications, or use of parts that are not made or authorized by Artcoustic.

If it is found necessary to return the product for repair, you will be given a form to fill out and return. You should not return the product without previous acceptance. To validate your warranty, you will need to produce the original sales invoice or other proof of ownership and date of purchase.