

MODEL XL-85s DIAGRAM WITH SOUNDBAR - PRIMARY CABINET DIMENSIONS

SPECIFICATIONS (CENTIMETERS ARE REPRESENTED BY [])

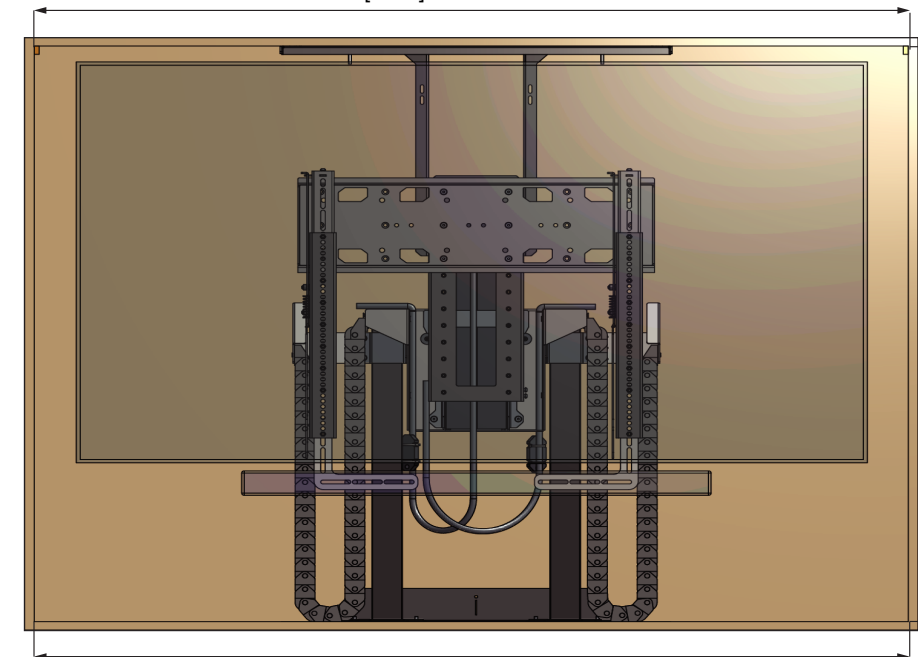
MAX TV SIZE : 86"
 MAX WEIGHT CAPACITY : 175 LBS [79.4 KG]
 MAX TRAVEL [EXTENSION] : 65" [165.1]
 LIFT SYSTEM HEIGHT : 40.75" [103.5] TO 55.5" [141]
 MAX TV + SOUNDBAR HEIGHT : 49.5" [125.7]
 MANUAL SWIVEL RANGE : +/- 180°

QUICK REFERENCE DIMENSION GUIDE (USE WHICHEVER IS GREATER)

TV DIMENSIONS : W____, H____, D____
 SOUNDBAR DIMENSIONS : SW____, SH____, SD____
 MIN. INTERIOR CABINET WIDTH : W + 2" [5.1] OR SW + 2" [5.1] = ____ OR 32.5" [82.6]
 MIN. LID CUTOUT WIDTH : W + 2" [5.1] OR SW + 2" [5.1] = ____ OR 32.5" [82.6]
 MIN. INTERIOR CABINET HEIGHT : SEE CHART ON PAGE 2
 MIN. INTERIOR CABINET DEPTH : D + 8.5" [21.6] OR SD + 8.625" [21.9] = ____
 MIN. LID CUTOUT DEPTH : D + 8.5" [21.6] OR SD + 8.625" [21.9] = ____

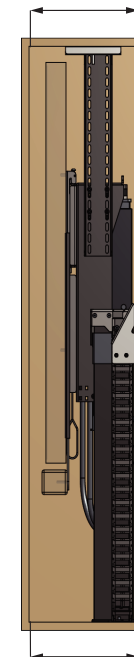
MIN. LID CUTOUT WIDTH = TV WIDTH + 2" [5.1] OR SOUNDBAR WIDTH + 2" [5.1]
 OR 32.5" [82.6] WHICHEVER IS GREATER

MIN. LID CUTOUT DEPTH =
 TV DEPTH + 8.5" [21.6] OR SOUNDBAR DEPTH + 8.625" [21.9]
 WHICHEVER IS GREATER



MIN. INTERIOR CABINET WIDTH = TV WIDTH + 2" [5.1] OR SOUNDBAR WIDTH + 2" [5.1]
 OR 32.5" [82.6] WHICHEVER IS GREATER

SEE CHART ON PAGE 2



MIN. INTERIOR CABINET DEPTH =
 TV DEPTH + 8.5" [21.6] OR SOUNDBAR DEPTH + 8.625" [21.9]
 WHICHEVER IS GREATER

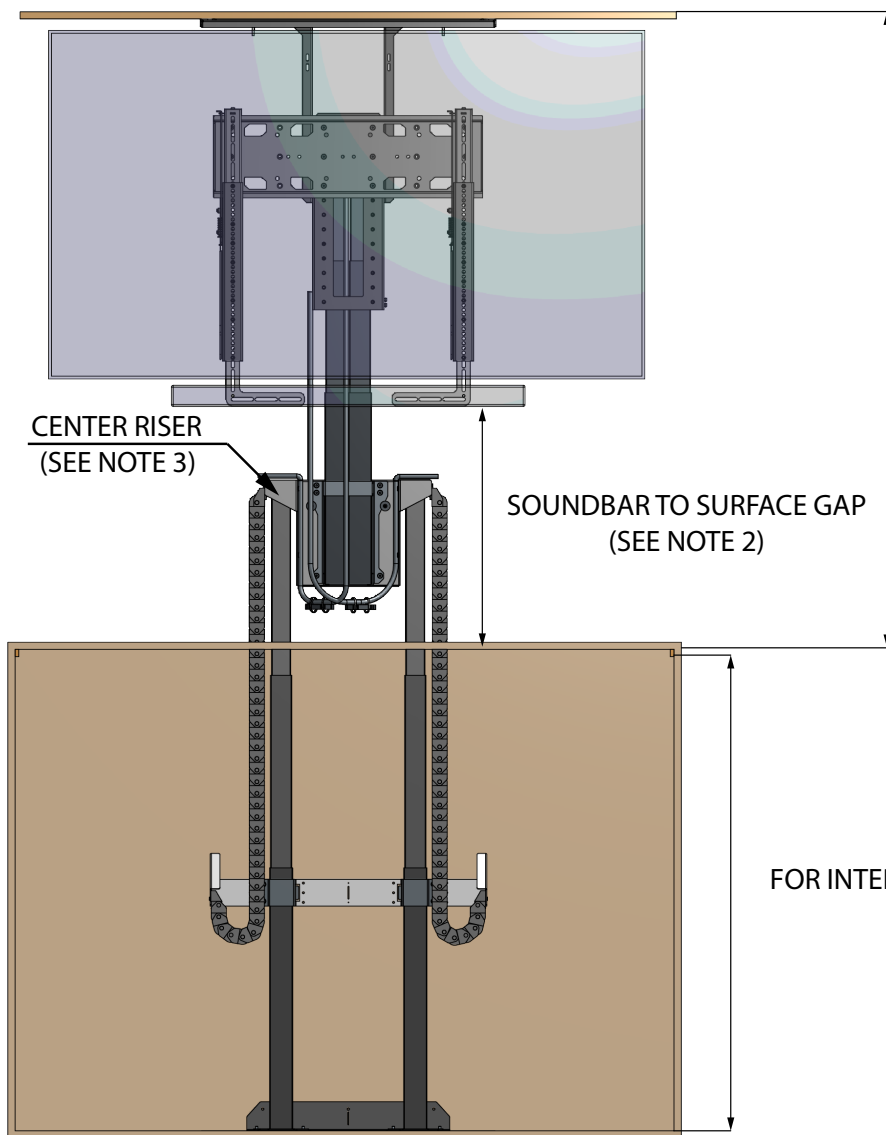
NOTES:

1. THE CABINET BOX SHOWN IN THE DIAGRAM IS FOR REFERENCE ONLY AND IS NOT PROVIDED WITH THE LIFT SYSTEM
2. LIFT MECHANISM IS POWDER COATED BLACK STEEL, COLORS IN DIAGRAM ARE FOR CLARITY ONLY
3. LIFT WILL NOT OPERATE WHEN SWIVELED OUTSIDE OF HOME POSITION
4. LIFT ENCLOSURE'S REAR PANEL SHOULD BE CONSTRUCTED TO WITHSTAND A HORIZONTAL LOAD OF 600 LBS [272.2 kg] OR MORE

NEXUS 21

COPYRIGHT 2021 - ALL RIGHTS RESERVED
UPDATED 3/19/21

MODEL XL-85s DIAGRAM WITH SOUNDBAR - PRIMARY CABINET DIMENSIONS - CONTINUED



MIN. REQUIRED TRAVEL
before TV can be swiveled
(SEE NOTE 1)

SOUNDBAR TO SURFACE GAP
(SEE NOTE 2)

CENTER RISER
(SEE NOTE 3)

FOR INTERIOR CABINET HEIGHT
SEE CHART

MINIMUM REQUIRED TRAVEL TABLE

TV + SOUNDBAR HEIGHT	MIN. REQUIRED TRAVEL before TV can be swiveled
32" [81.3]	58.5" [148.6]
33" [83.8]	61" [154.9]
34" [86.4]	63.5" [161.3]
35" TO 49" [88.9 TO 124.5]	MAX TRAVEL REQUIRED

INTERIOR CABINET HEIGHT TABLE

TV + SOUNDBAR HEIGHT	MIN INTERIOR CABINET HEIGHT	MAX INTERIOR CABINET HEIGHT
32" [81.3]	40.75" [103.5]	53" [134.6]
33" [83.8]	40.75" [103.5]	54" [137.2]
34" [86.4]	40.75" [103.5]	55" [139.7]
35" TO 49" [88.9 TO 124.5]	TV + SOUNDBAR HEIGHT + 6.5" [16.5]	55.5" [141]

FOR TV HEIGHT, ALWAYS USE MANUFACTURER SUPPLIED
"TV WITHOUT STAND" HEIGHT

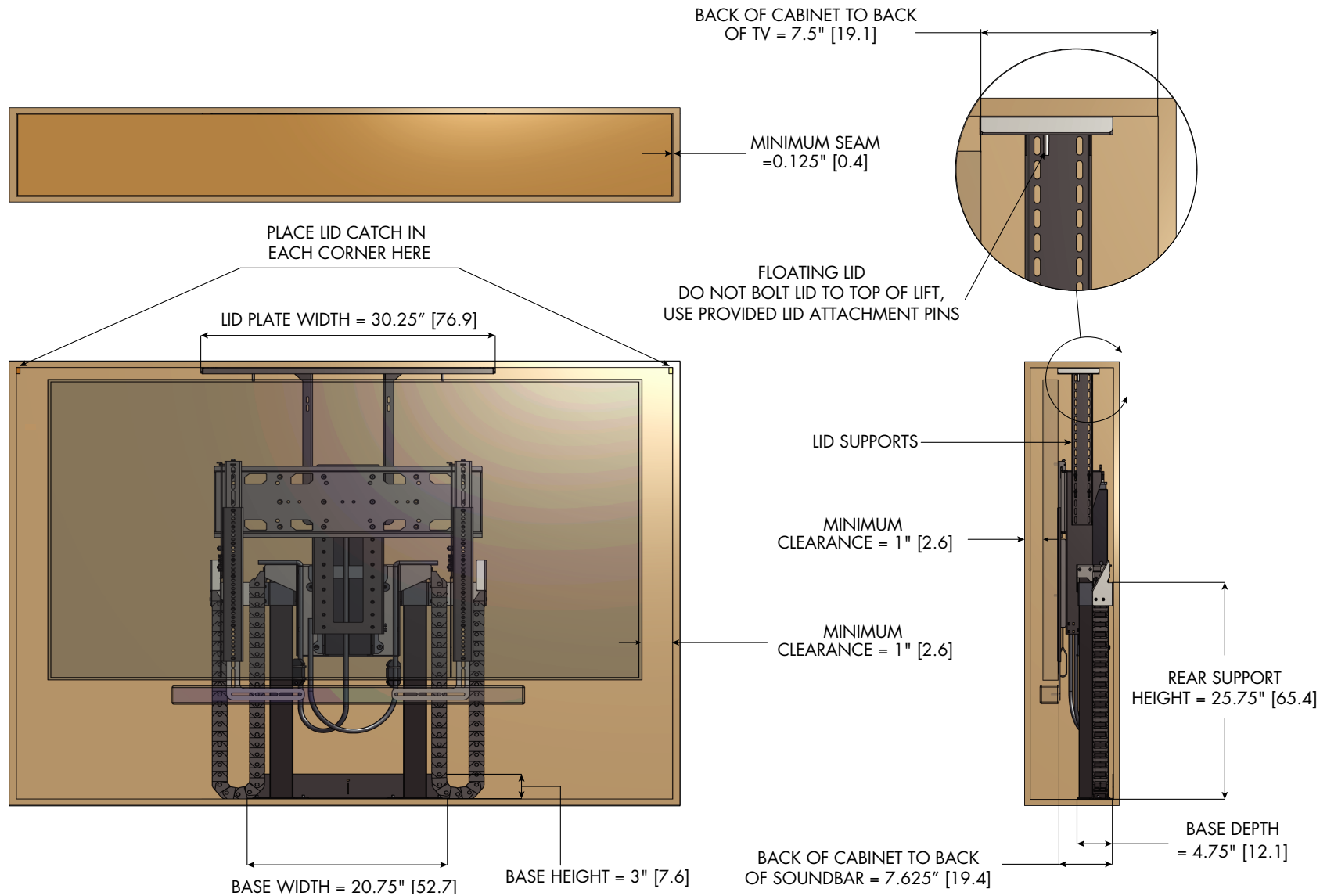
IMPORTANT NOTES:

1. MINIMUM REQUIRED TRAVEL = THE AMOUNT OF EXTENSION REQUIRED IN ORDER TO SWIVEL THE TV AND CLEAR THE CENTER RISER; USE CHART
2. MAXIMUM SOUND BAR TO SURFACE GAP = 62.625" [159.1] MINUS "TV HEIGHT" MINUS "SOUNDBAR HEIGHT" MINUS "LID THICKNESS"
3. CENTER RISER WILL BE EXPOSED REGARDLESS OF CABINET SIZE AND TV TO SURFACE GAP
4. MAX TRAVEL FOR THIS SYSTEM IS 65" [165.1]

NEXUS₂₁

COPYRIGHT 2021 - ALL RIGHTS RESERVED
UPDATED 3/19/21

MODEL XL-85s DIAGRAM WITH SOUNDBAR - CABINET REFERENCE DIMENSIONS



NOTES:

1. LID SUPPORTS ALLOW LID PLATE TO BE ADJUSTED FLUSH WITH UNDERSIDE OF LID
2. LID ATTACHMENT PINS ALLOW LID TO FLOAT WITH THE USE OF LID CATCHES
3. MINIMUM SEAM CAN BE REDUCED TO 0.0625" [0.2] WITH A 45 DEGREE BEVEL ON THE EDGES OF THE LID

NEXUS₂₁

COPYRIGHT 2021 - ALL RIGHTS RESERVED
 UPDATED 3/19/21