

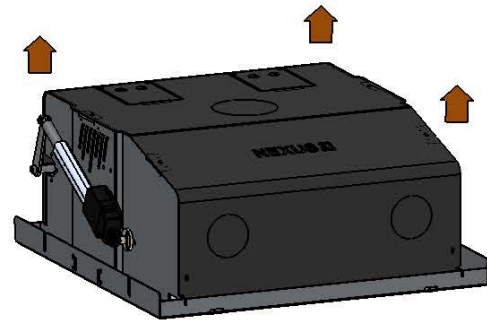
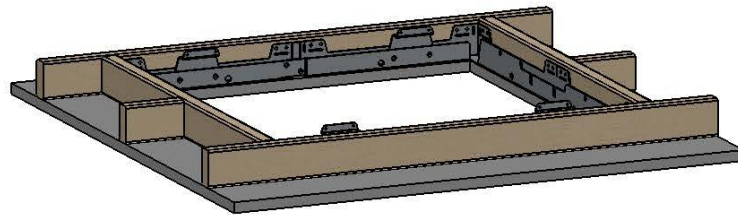
MODEL E-550 DIAGRAM FRAMING DIMENSIONS

SPECIFICATIONS (CENTIMETERS ARE REPRESENTED BY [])

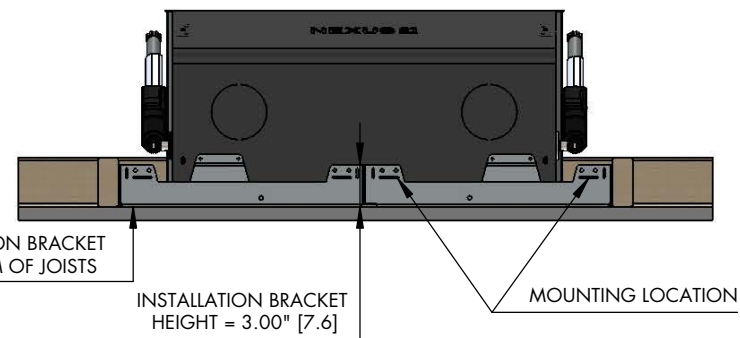
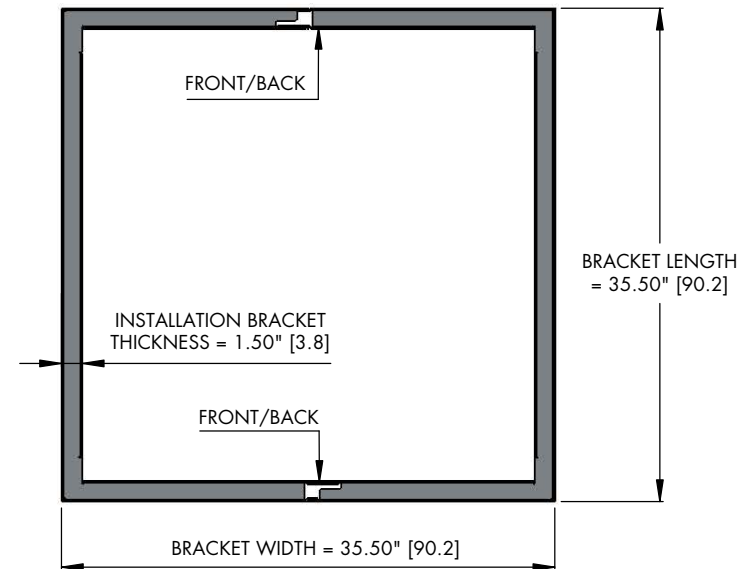
MAX PROJECTOR SIZE (W X L X H) : 23.5" X 23.5" X 9" [59.7 X 59.7 X 22.9]
 MAX WEIGHT CAPACITY : 100 LBS [45.4 KG]
 MAX TRAVEL (EXTENSION) : 10" [25.4]

QUICK REFERENCE GUIDE

FRAMING DIMENSIONS (W X L X H) : 35.625" X 35.625" X 15.875" [90.5 X 90.5 X 40.3]



BOTTOM OF PRE-INSTALLATION BRACKET
TO BE FLUSH WITH BOTTOM OF JOISTS



NOTES:

1. NEXUS 21 RECOMMENDS THIS INSTALLATION BE COMPLETED BY A LICENSED CONTRACTOR AND ELECTRICIAN
2. COLORS SHOWN IN THIS DIAGRAM ARE FOR CLARITY ONLY, MECHANISM IS GREY POWDER COATED STEEL AND ALUMINUM

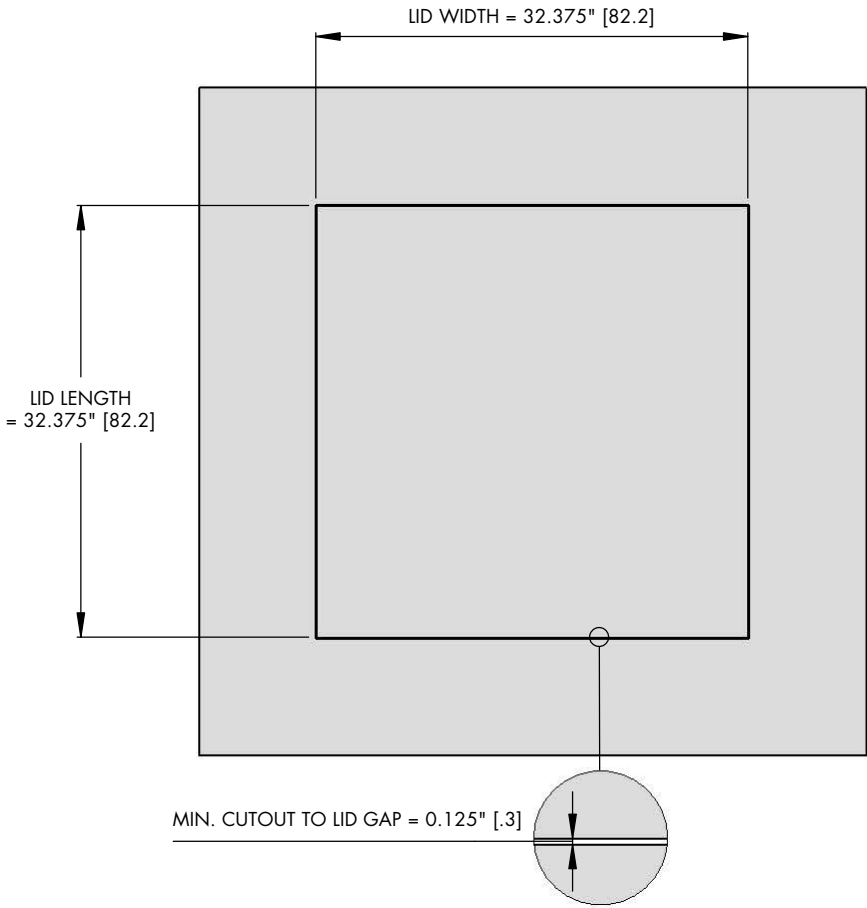
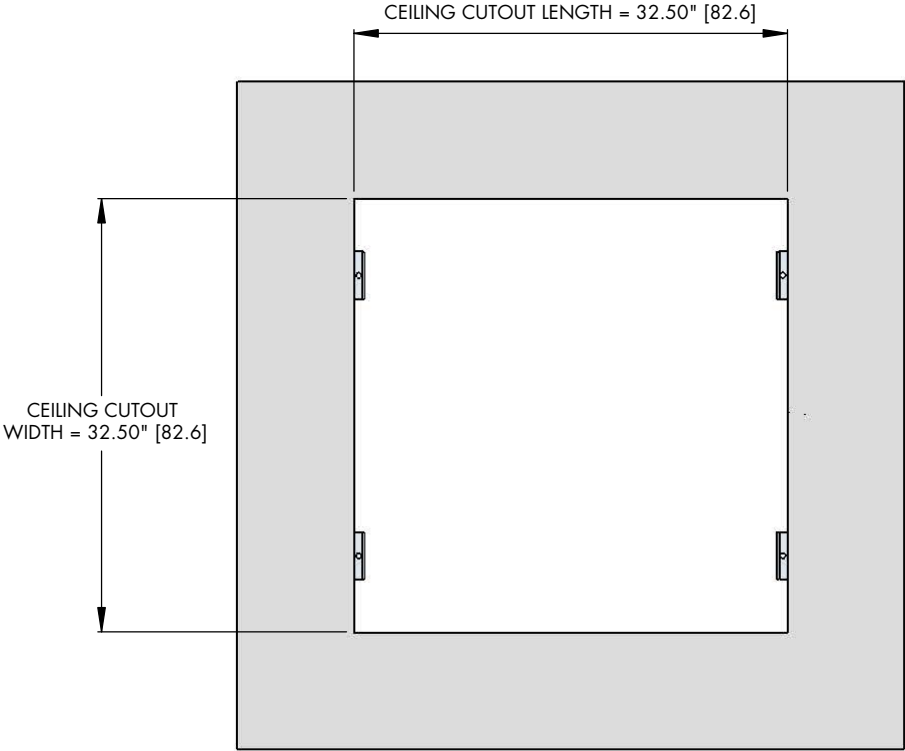
NEXUS 21

COPYRIGHT 2020 - ALL RIGHTS RESERVED
 UPDATED 4/3/20

MODEL E-550 DIAGRAM

CEILING AND LID DIMENSIONS

QUICK REFERENCE DIMENSION GUIDE
MAX LID WEIGHT : 30 LBS [13.6 KG]
CEILING CUTOUT (L X W) : 32.5" X 32.5" [82.6 X 82.6]
DROPDOWN PANEL (L X W) : 32.25" X 32.25" [82.2 X 82.2]



- NOTES:
1. LID ATTACHES TO PROVIDED INTERFACE PLATE
 2. INTERFACE PLATE ALLOWS CEILING PANEL TO BE REMOVABLE WITH PUSH TO RELEASE LATCH

NEXUS₂₁

COPYRIGHT 2020 - ALL RIGHTS RESERVED
UPDATED 4/3/20