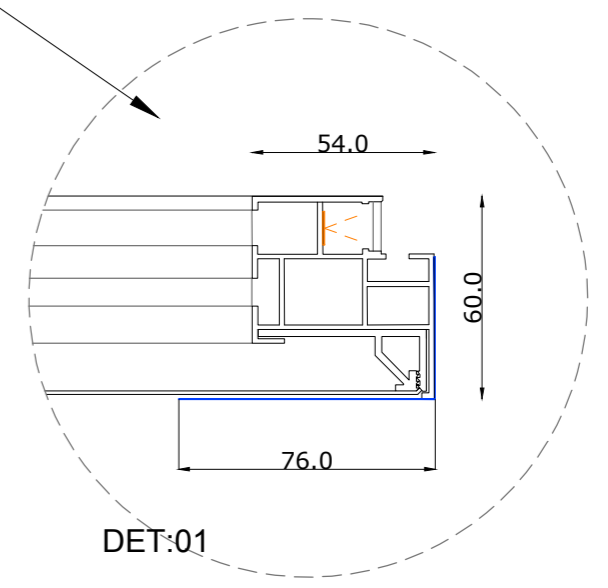
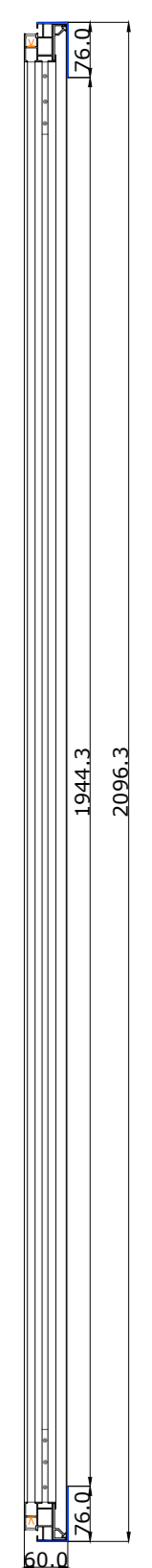


01 BLUEPRINT- CSB-HALO-WIDE-3.5 - 1.78



DET:01



03 SECTION A'A - CSB-HALO-WIDE-3.5 - 1.78

02 ELEVATION A- CSB-HALO-WIDE-3.5 - 1.78

Disclaimer Genesis HTA
 This project is a technical guideline
 Genesis HTA is not responsible for the execution
 Execution should always be by a Certificated partner

	<p>COMPANY: Genesis Home Technology Architects www.genesis-tech.eu</p>	<p>CREATED BY: Amanda Cunha and Renato Gomes</p>	<p>QUOTE: -----</p>	<p>REFERENCE: CBS-HALO-WIDE-3.5M-1.78</p>	<p>Company: Cinema Build Systems</p>	<p>BLUEPRINT: CBS-HALO-WIDE-3.5M-2.3-51.78</p>	<p>DATE: January 2023</p>	<p>SCALE: 1 10</p>	<p>Nº: 01</p>
--	--	--	-------------------------	---	--	--	-------------------------------	------------------------	--------------------------