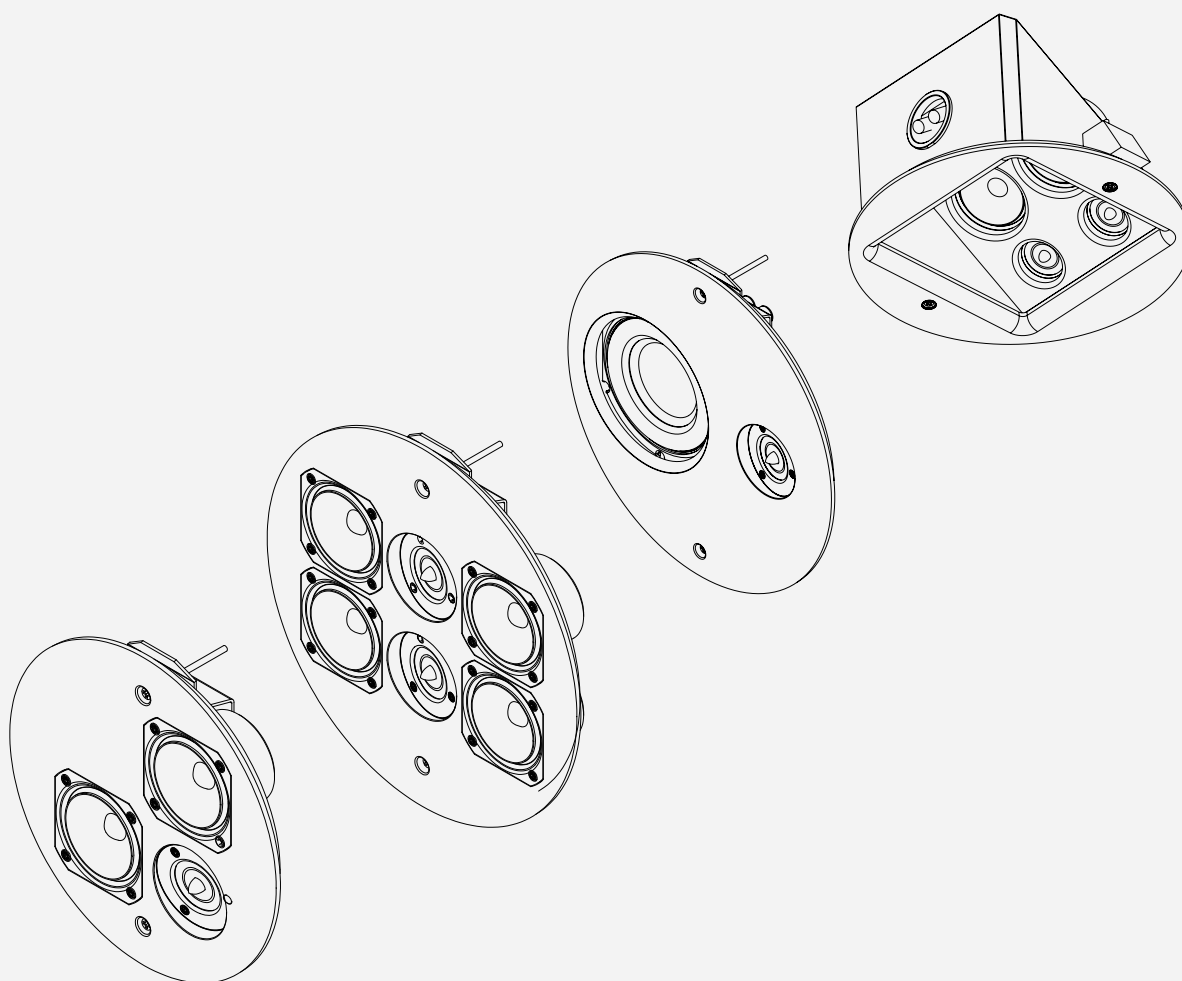


Artcoustic^{AC}

SL ARCHITECT SERIES

Owners manual



WELCOME TO THE WORLD OF ARTCOUSTIC

Congratulations with your purchase of the Artcoustic SL Architect in-ceiling speaker.

The SL Architect Series is created to provide impressive sound from ultra thin and aesthetically pleasing loudspeakers. The entire SL Architect line of in-ceiling loudspeakers will surprise you.

Whether you are looking for true Hi-Fi music reproduction or louder applications such as home cinema installations, commercial installations, bars, restaurants and public address setups, the Artcoustic SL Architect Series offers the ultimate solution.

The SL Architect Series has been designed and Engineered with the same high specifications as all the other Artcoustic models, leaving no space for compromise on sound quality and built. The SL Architect series consist of four models, single source speaker SL Architect 2-1 to the larger SL Architect 4-2, directional single source SL Architect PAS SPL, and finally full-range single source speaker with high dynamic range SL Architect F-1.

Thank you for purchasing the Artcoustic SL Architect Series.

All the best,

The Artcoustic Team

FEATURES

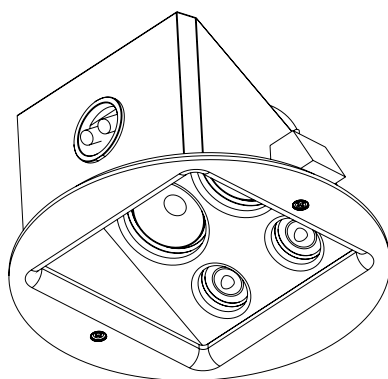
SL ARCHITECT SERIES

HIGH FREQUENCY DRIVER

Dual Ring Radiator diaphragm with highly linear suspension and low loss surrounds for high clarity and clean transient response. Copper caps for better HF extension and lower distortion and wave-guide center plug, copper-clad aluwire.

WOOFER

Extra long excursion and aluminium Short Circuiting Ring, 4-layer voice coil, anodised aluminium for improved heat dissipation, combined with Distortion Reduced Motor.



SL Architect PAS SPL isometric view

DESIGN FEATURES

Low resonance baffle, exceptional low mounting depth combined with very high SPL and dynamic range.

CROSSOVER

6 dB/octave low pass and 12 dB/octave high pass filter.

EASY INSTALLATION

Quick and easy installation with in-house developed Spider Grip metal mount.

SL ARCHITECT 2-1, SL ARCHITECT 4-2, SL ARCHITECT F-1

5 degrees angled tweeters, for controlled directivity and improved off axis response.

SL ARCHITECT PAS SPL

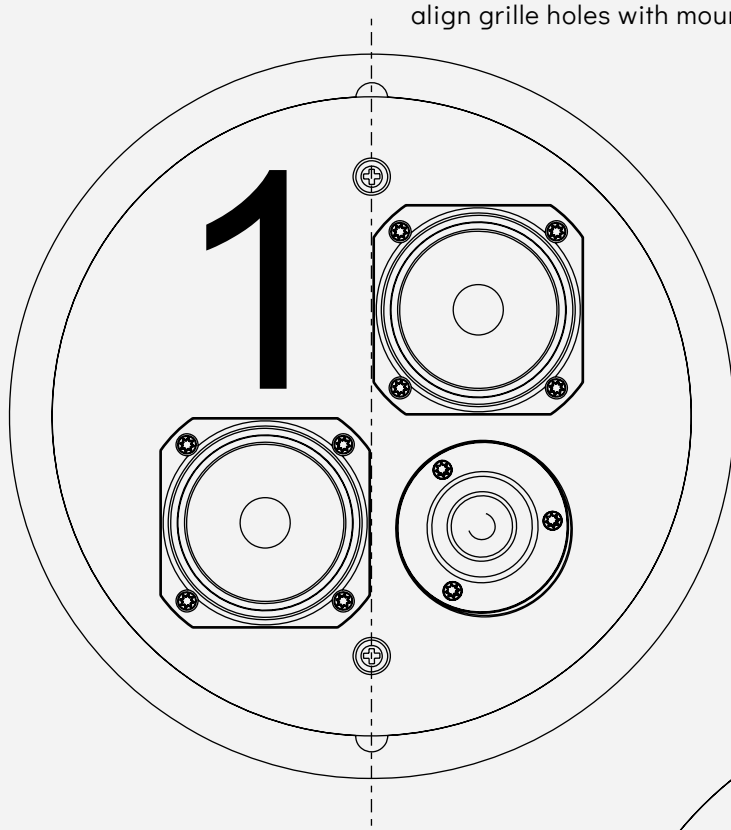
20 degrees angled, full-range all units.

MOUNTING INSTRUCTION

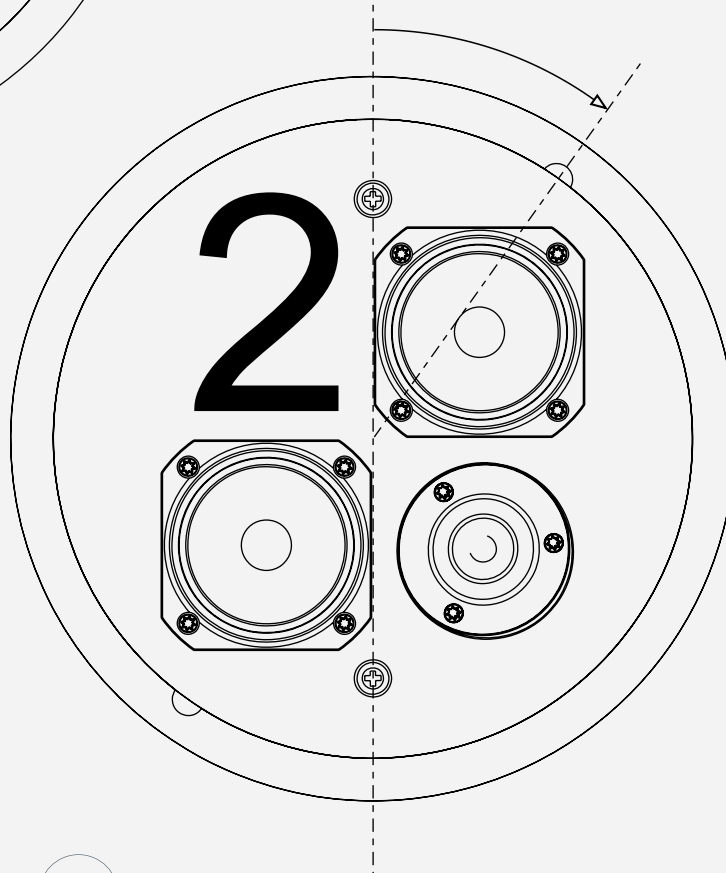
NEW ARTCOUSTIC IN-CEILING SPEAKER "O" GRILLE MOUNT SYSTEM

please follow instructions below

align grille holes with mounting screws



rotate grille until fixed



SPECIFICATIONS

SL ARCHITECT 2-1 ARCHITECTURAL SPEAKER

TRANSDUCER

LF-MF 2 x 3 inch cones

HF 1 x 1 inch Dual Ring Radiator

CROSSOVER

Low Pass Filter 6 dB/octave 1000 Hz

High Pass Filter 12 dB/octave 4000 Hz

CONNECTION

Single amped Gold Plated Screw Terminals

PERFORMANCE

Operating Range 60 Hz (-3dB) to 40 kHz

Axial Sensitivity (Half Space SPL) LF/MF-HF 93 dB

Calculated Axial Output Limit (Half Space SPL) Average Peak 110 dB

Maximum Power Handling 60 Watt

Input Impedance Nominal 4 ohms

Nominal Beamwidth Horizontal 90° Vertical 90°

Recommended High Pass Filter 100 Hz, 24 dB/octave

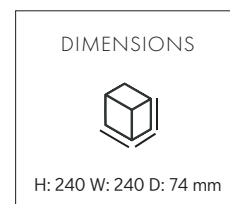
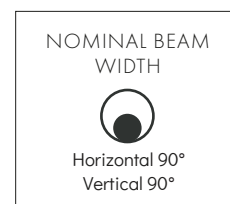
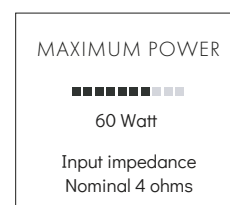
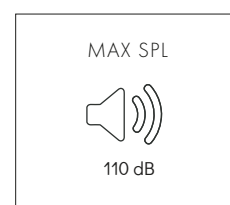
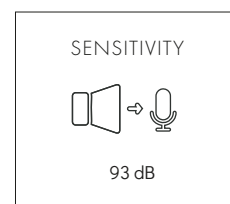
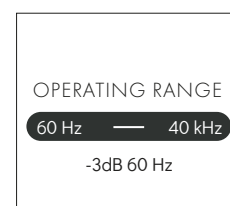
DESIGN

Cabinet: Black, White, RAL, NCS

Screen: Black, White, RAL, NCS, Artcoustic Art Gallery

The smallest model in the in-ceiling line up. SL Architect 2-1 is the perfect solution for multi-room applications, commercial installations, bars, restaurants, hotel lobby's etc. it's also the perfect choice for Dolby Atmos effect speakers in Artcoustic cinema systems.

Couple the SL Architect 2-1 with one of the powerful Artcoustic subwoofers and experience the ultimate sound performance, within the typical Artcoustic reward winning, discrete and aesthetic design.



SPECIFICATIONS

SL ARCHITECT 4-2 ARCHITECTURAL SPEAKER

TRANSDUCER

LF-MF 4 x 3 inch cones

HF 2 x 1 inch Dual Ring Radiator

CROSSOVER

Low Pass Filter 6 dB/octave 1000 Hz

High Pass Filter 12 dB/octave 4000 Hz

CONNECTION

Single amp'd Gold Plated Screw Terminals

PERFORMANCE

Operating Range 65 Hz (-3dB) to 40 kHz

Axial Sensitivity (Half Space SPL) LF/MF-HF 96 dB

Calculated Axial Output Limit (Half Space SPL) Average Peak 115 dB

Maximum Power Handling 120 Watt

Input Impedance Nominal 4 ohms

Nominal Beamwidth Horizontal 90° Vertical 90°

Recommended High Pass Filter 100 Hz, 24 dB/octave

DESIGN

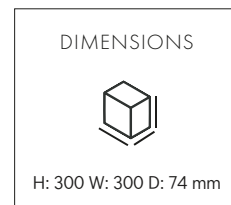
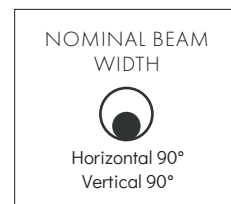
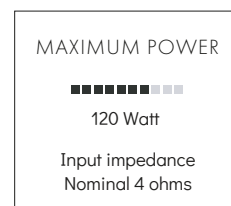
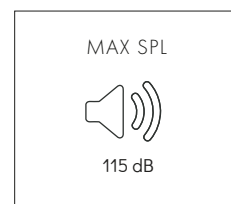
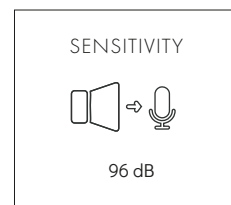
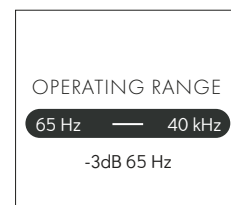
Cabinet: Black, White, RAL, NCS

Screen: Black, White, RAL, NCS, Artcoustic Art Gallery

The SL Architect 4-2 is more powerful than the 2-1 and is a single source, high performance speaker, for more demanding applications.

The SL Architect 4-2 has an impressive operating dynamic range starting at 65 Hz (- 3dB) and extends to an impressive upper frequency response at 40 kHz, all matched with an exceptional sound pressure at 115 dB.

This makes the SL Architect 4-2 a true all-rounder, fitting a large portfolio of applications.



SPECIFICATIONS

SL ARCHITECT PAS SPL ARCHITECTURAL SPEAKER

TRANSDUCER

LF-MF 2 x 3 inch cones

HF 2 x 1 inch Dual Ring Radiator

CROSSOVER

Low Pass Filter 6 dB/octave 1000 Hz

High Pass Filter 12 dB/octave 3000 Hz

CONNECTION

Single amp'd Gold Plated Screw Terminals

PERFORMANCE

Operating Range 70 Hz (-3dB) to 40 kHz

Axial Sensitivity (Half Space SPL) LF/MF-HF 94 dB

Calculated Axial Output Limit (Half Space SPL) Average Peak 114 dB

Maximum Power Handling 60 Watt

Input Impedance Nominal 4 ohms

Nominal Beamwidth Horizontal 90° Vertical 90°

Recommended High Pass Filter 100 Hz, 24 dB/octave

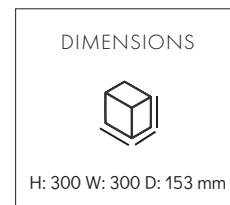
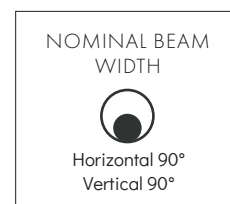
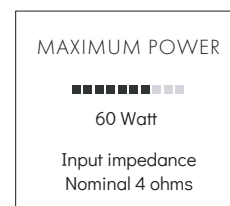
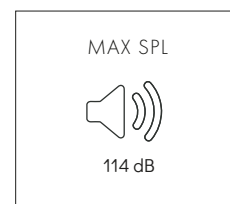
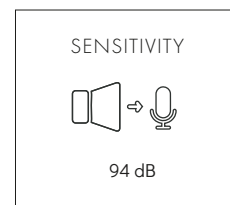
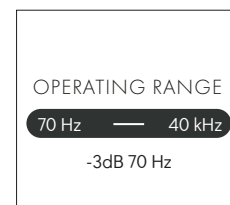
DESIGN

Cabinet: Black, White, RAL, NCS

Screen: Black, White, RAL, NCS, Artcoustic Art Gallery

The SL Architect PAS SPL (PAS - Point and Shoot) - is a high SPL, directional, single-source speaker, incorporating the same ultra-thin and minimalistic design of the existing Architect products. The PAS is perfect for Dolby Atmos speaker applications and in-ceiling LCR configurations.

The SL Architect PAS SPL has an impressive operating dynamic range starting at 70 Hz (-3 dB) and extend to an impressive upper frequency response at 40 kHz. All matched with an exceptional Sound pressure at 114 dB. Making the SL Architect PAS SPL a true all-rounder, fitting a large portfolio of applications.



SPECIFICATIONS

SL ARCHITECT F-1 ARCHITECTURAL SPEAKER

TRANSDUCER

LF-MF 1 x 5.5 inch cone

HF 1 x 1 inch Dual Ring Radiator

CROSSOVER

Low Pass Filter 6 dB/octave 1000 Hz

High Pass Filter 12 dB/octave 4000 Hz

CONNECTION

Single amp'd Gold Plated Screw Terminals

PERFORMANCE

Operating Range 40 Hz (-3dB) to 40 kHz

Axial Sensitivity (Half Space SPL) LF/MF-HF 90 dB

Calculated Axial Output Limit (Half Space SPL) Average Peak 105 dB

Maximum Power Handling 100 Watt

Input Impedance Nominal 8 ohms

Nominal Beamwidth Horizontal 90° Vertical 90°

Recommended High Pass Filter 100 Hz, 24 dB/octave

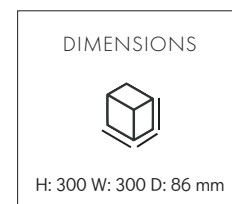
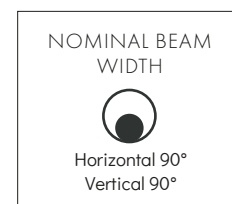
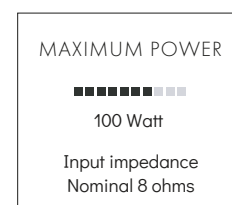
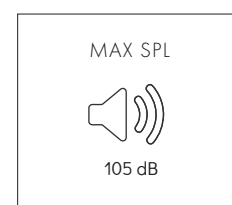
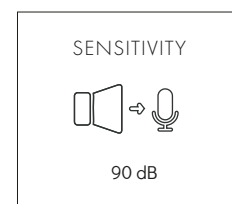
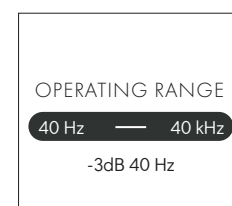
DESIGN

Cabinet: Black, White, RAL, NCS

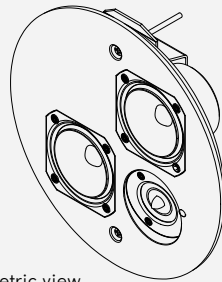
Screen: Black, White, RAL, NCS, Artcoustic Art Gallery

The SL Architect F-1 is a full range single source speaker targeting multi-room applications. The SL Architect F-1 performs with equal impressive dynamic range within a residential solution as in a professional setup, such as bars, restaurants, hotels, or simply anywhere, where the typical Artcoustic superior quality sound reproduction is expected, all without the need of a subwoofer.

The SL Architect F-1 has an impressive operating dynamic range starting at 40 Hz (-3 dB) and extending to an impressive upper frequency response at 40 kHz. The SL Architect F-1 is a true all-rounder, fitting a large portfolio of applications.

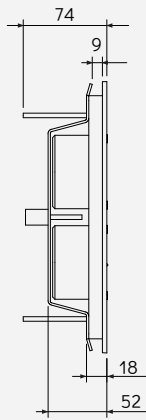
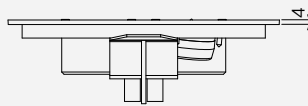


SCHEMATICS

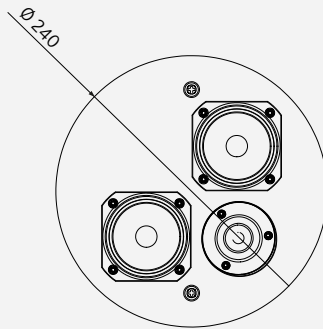


isometric view

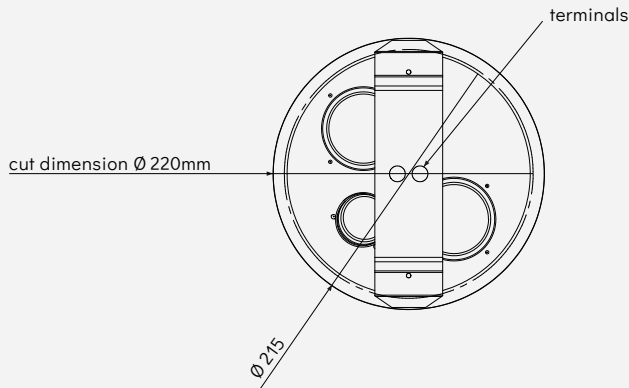
top view



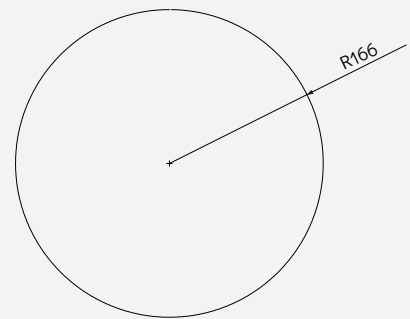
side view



front view



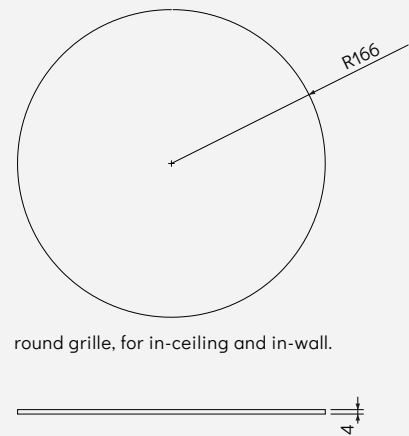
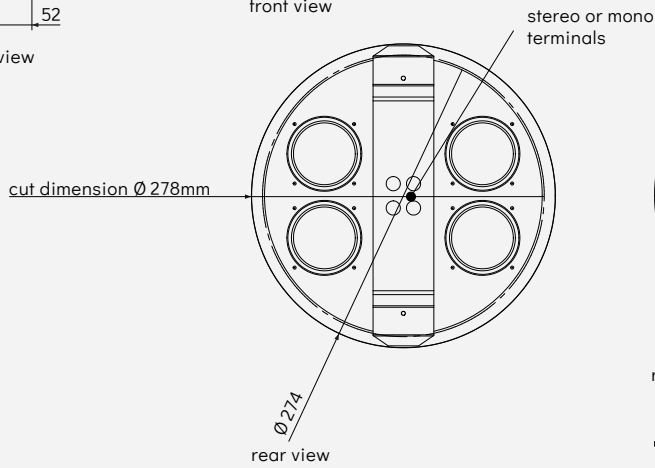
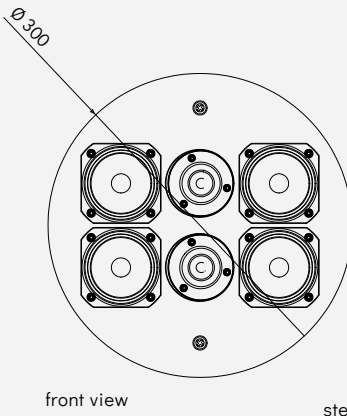
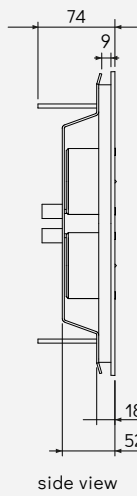
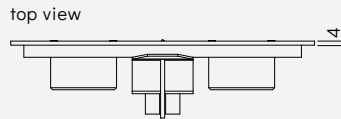
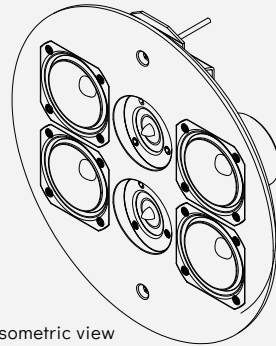
rear view



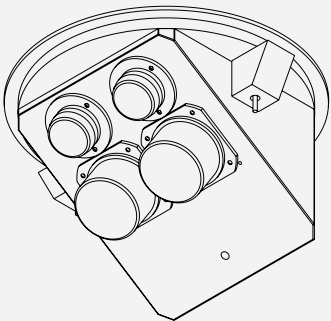
round grille, for in-ceiling and in-wall.



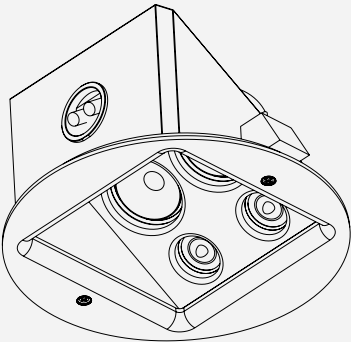
SCHEMATICS



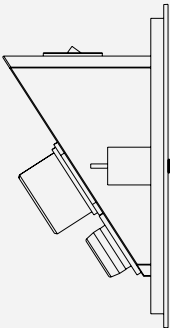
SCHEMATICS



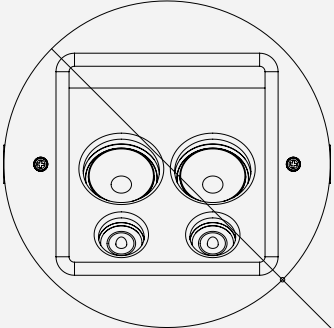
isometric view



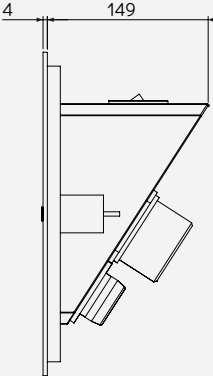
top view



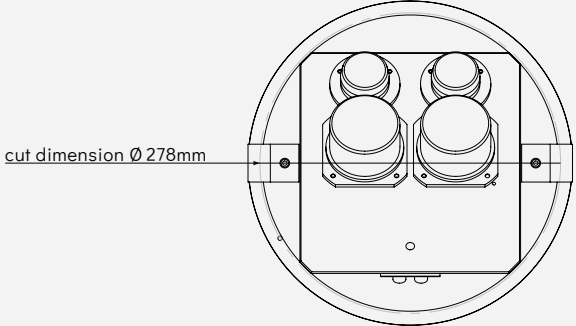
left view



front view

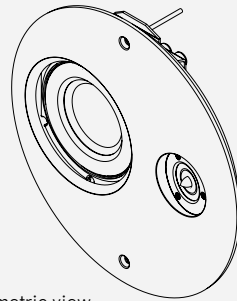


right view



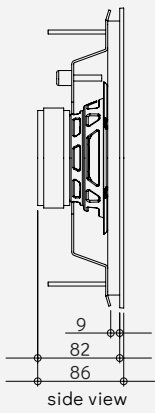
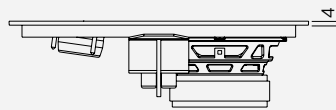
rear view

SCHEMATICS

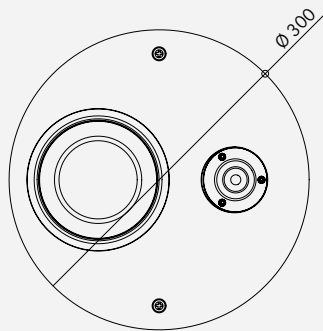


isometric view

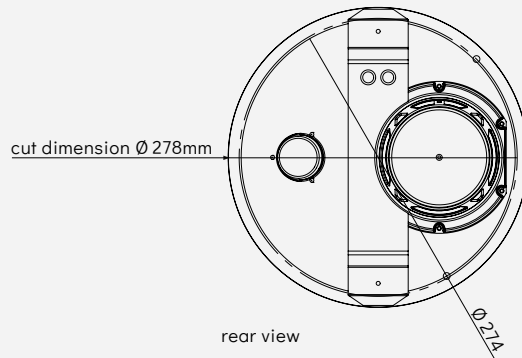
top view



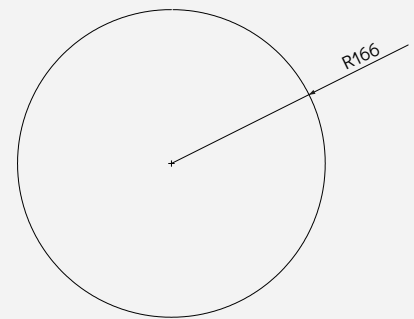
side view



front view



rear view



round grille, for in-ceiling and in-wall.

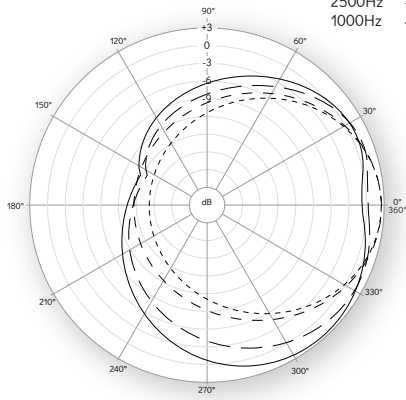


POLAR RESPONSE

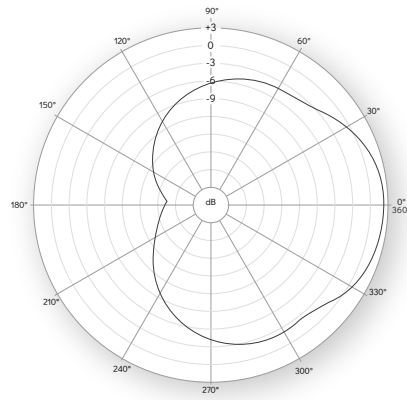
SL ARCHITECT 2-1

horizontal polar response 1m

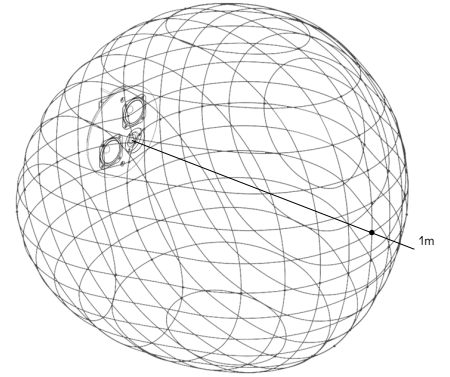
16000Hz - - - - -
 6500Hz - - - - -
 2500Hz - - - - -
 1000Hz - - - - -



vertical polar response 1m



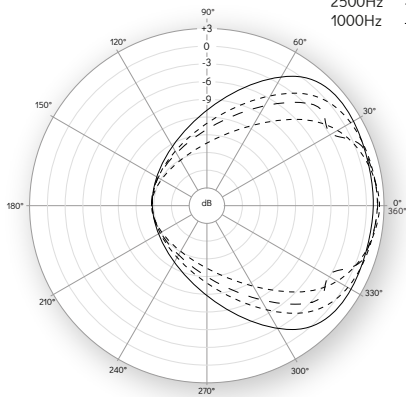
3D polar response 1m



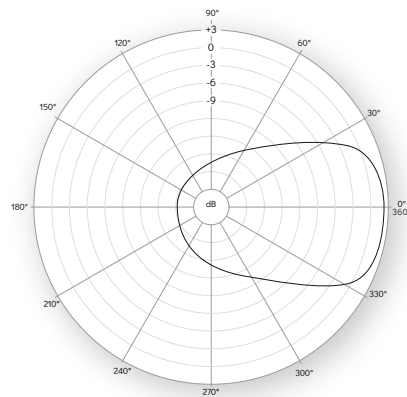
SL ARCHITECT 4-2

horizontal polar response 2m

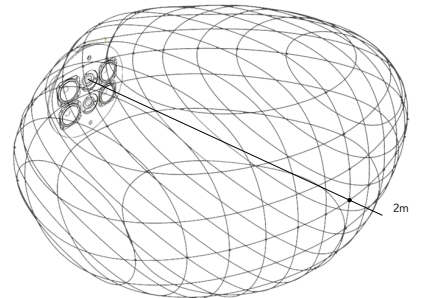
16000Hz - - - - -
 6500Hz - - - - -
 2500Hz - - - - -
 1000Hz - - - - -



vertical polar response 2m



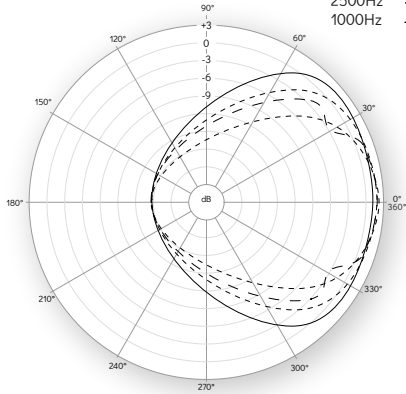
3D polar response 2m



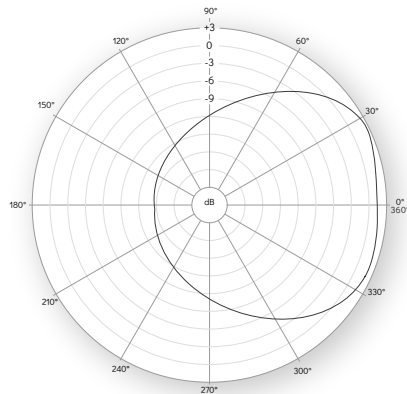
SL ARCHITECT PAS SPL

horizontal polar response 2m

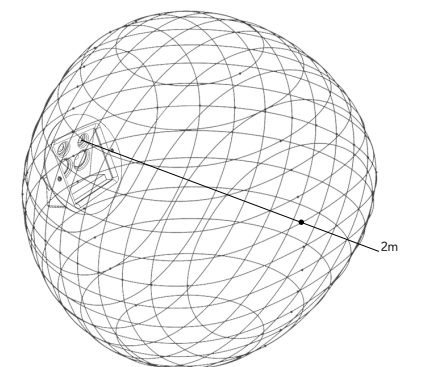
16000Hz - - - - -
 6500Hz - - - - -
 2500Hz - - - - -
 1000Hz - - - - -



vertical polar response 2m



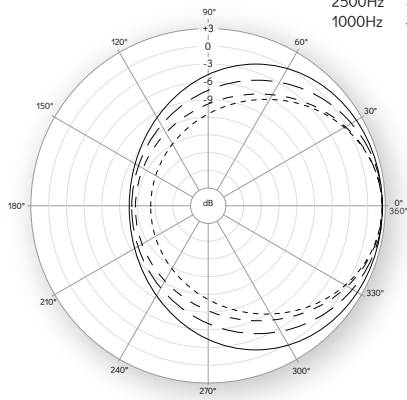
3D polar response 2m



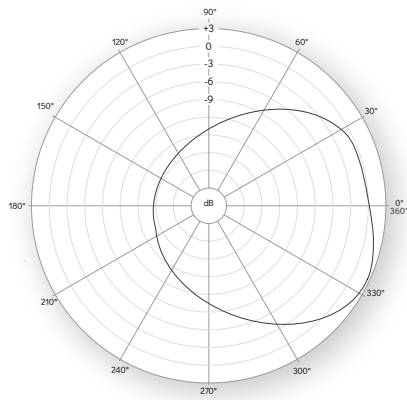
POLAR RESPONSE

SL ARCHITECT F-1

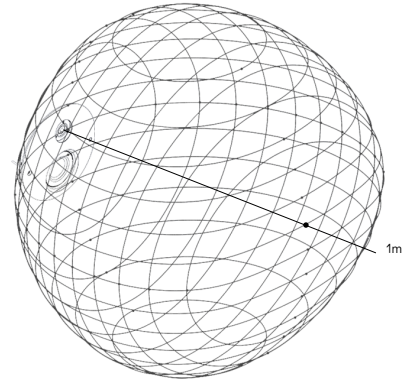
horizontal polar response 1m



vertical polar response 1m



3D polar response 1m



SAFETY INSTRUCTIONS

SAFETY



Do not use this product near water



Clean rear panel with dry cloth only



Do not block any ventilation opening



Do not install near any heat sources



If wall-mounted, ensure the use of matching screws and rawl plugs

WARNING

This product complies with Part 15 of the FCC Rules. Its operation is subject to the following two conditions:

- This product may not cause harmful interference.
- This product must accept any interference received, including interference that may cause undesired operation.

Changes or modifications not expressly approved by the party responsible for compliance could void the user's authority to operate the equipment.

To reduce the risk of fire and electric shock do not expose this product to rain or moisture.



Do not place product filled with liquids such as vases on the product.



Do not open product. There are no user-serviceable parts inside.



Always use the power supply shipped with this product. Using a power supply with wrong voltage or polarity, can damage the electronics.



WARRANTY

IS APPLICABLE



Is valid only for products purchased from an authorised Artcoustic retailer or dealer.



Is valid from the date of purchase for a period of 3-years for passive loudspeakers, and 2-years for powered loudspeakers and electronics.



Is limited to the repair of the equipment (which could be a repair or replacement at our discretion, neither of which affects your original warranty).



Neither transportation, nor any other costs, nor any risk for removal, transportation and installation of products is covered by this warranty.

IS NOT APPLICABLE

Will not be applicable in cases other than defects in materials and/or workmanship at the time of purchase and will not be applicable:

- For deterioration of component parts, the nature of which is to become worn or depleted with use, such as batteries.
- For damages caused by incorrect installation, connection or packing.
- For damages caused by accidents, lightning, water, fire heat, war, public disturbances or any other cause beyond the reasonable control of Artcoustic and its appointed distributors.
- For damages caused by any use other than correct use described in the user manual, negligence, modifications, or use of parts that are not made or authorized by Artcoustic.

If it is found necessary to return the product for repair, you will be given a form to fill out and return. You should not return the product without previous acceptance. To validate your warranty, you will need to produce the original sales invoice or other proof of ownership and date of purchase.